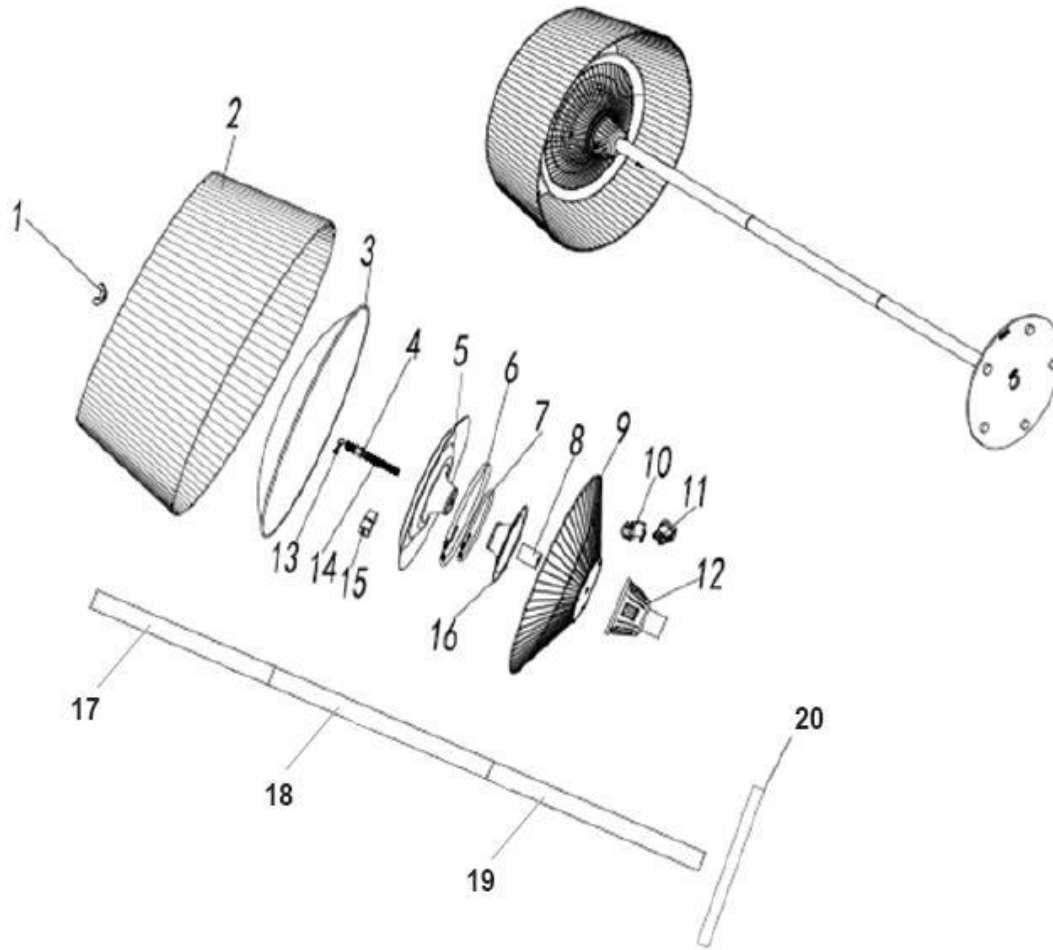


SIRMIONE NOIR ZHQ1821SH-BC-B



N° PIECE	FAVEX REFERENCE	REFERENCE FABRICANT	PARTS NAME	QTE
1		010210044	Screw	1
2	9718743	010801021	Fabric cover(Black color)	1
3		010800753	Top cover	1
4		010210045	Point welding Screw	1
5		010800042	Reflector	1
6	9718739	040200034	1200W heating element	1
7	9718738	040200033	900W heating element	1
8		010900125	2125-MI tube connector	1
9		010800284	Mesh	1
10	8522074	010330007	Tip over switch	1
11	9712107	010330017	Switch	1
12	9714092	011000468	Plastic switch box	1
13		010900472	Terminal support	1
14		010900471	Solid screw	1
15		010700034	Ceramic terminal	2
16		010900485	2125-MI Glare-shield	1
17	9718753	010801095	Up Tube black color	1
18	9718754	010801100	middel tube black color	1
19	9718755	010801105	bottom tube black color	1
20	9718732	010801166	black color base(10GK)	1