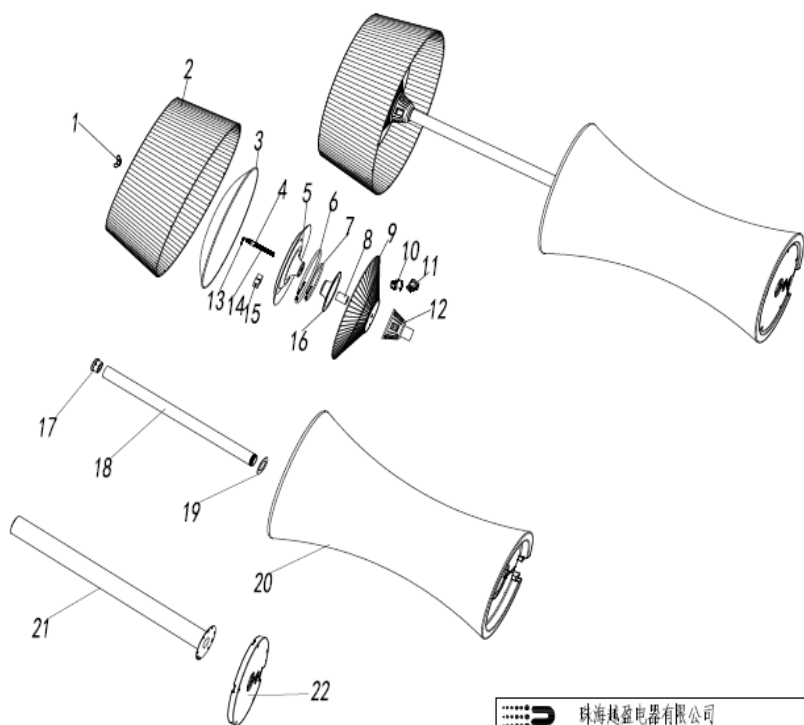


ZHQ3036-SW-W EXPLODE DRAWING



珠海越盛电器有限公司
ZHUHAI YUESHENG ELECTRIC CO., LTD.

NO	Part No	PARTS NAME		QTY	Price
					US\$
1	010210044	蝶形螺母	Screw	1	0.2
2	010801022	布罩	Fabric cover	1	20
3	010800753	大罩 (刻字)	Top cover	1	10
4	010210045	点焊开口驳母	Point welding Screw	1	0.8
5	010800042	反射板	Reflector	1	4.2
6	040200034	1200W发热管	1200W heating element	1	7.1
7	040200033	900W发热管	900W heating element	1	6.1
8	010900125	2125-MI螺纹钢管接头	2125-MI tube connector	1	1
9	010800284	网罩	Mesh	1	4.5
10	010330007	防倒开关	Tip over switch	1	2
11	010330017	双档开关	Switch	1	1
12	011000468	3000W接头	Plastic switch box	1	2
13	010900472	2125-MI端子架	Terminal support	1	0.3
14	010900471	空心螺杆	Solid screw	1	0.4
15	010700034	陶瓷端子	Ceramic terminal	2	0.5
16	010900485	2125-MI遮光罩	2125-MI Glare-shield	1	1.8
17	011000412	管套	tube sleeve	1	0.6
18	010801025	上钢管	upper tube	1	5
19	010900831	装饰盖	decorative cover	1	1.5
20	011000485	ZHQ3036-SW-W底座	ZHQ3036-SW BASE	3	150
21	010801024	下钢管	Base	1	5
22	11000462	加重胶	Rubber weight base	1	6.2

