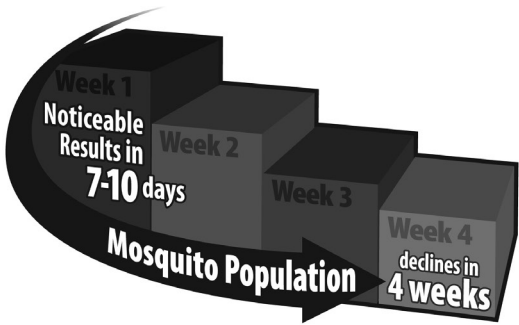




MOSQUITO MAGNET®

Advanced Mosquito Defense Systems

Attracts and Kills Mosquitoes



Smart Technology



Cordless



EXECUTIVE

For Outdoor Use Only
1440-653 Rev 09/21

Operation Manual



CAUTION / WARNUNG / MERK / HUOMIO / VAR FÖRSIKTIG! / ATTENZIONE



CAUTION - The appliance is not to be used by persons (including children) with reduced physical, sensory or mental capabilities, or lack of experience and knowledge, unless they have been given supervision or instruction - children being supervised not to play with the appliance.



This symbol on the product or its packaging indicates that this product must not be disposed of with your other household waste. Instead, it is your responsibility to dispose of your waste equipment by handing it over to a designated collection point for the recycling of waste electrical and electronic equipment. The separate collection and recycling of your waste equipment at the time of disposal will help conserve natural resources and ensure that it is recycled in a manner that protects human health and the environment. For more information about where you can drop off your waste for recycling, please contact your local authority, or where you purchased your product.



WARNUNG - Das Gerät darf nicht von Personen (einschließlich Kindern) mit eingeschränkten physischen, sensorischen oder geistigen Fähigkeiten oder mangelnder Erfahrung und mangelndem Wissen verwendet werden, es sei denn, sie werden beaufsichtigt oder wurden unterwiesen - Kinder sollten beaufsichtigt werden, um sicherzustellen, dass sie nicht mit dem Gerät spielen.



Das Symbol auf dem Produkt oder seiner Verpackung weist darauf hin, dass dieses Produkt nicht als Restmüll entsorgt werden darf. Es ist Ihre Verantwortung, Ihre Altgeräte ordnungsgemäß zu entsorgen, indem Sie sie an eine dafür vorgesehene Sammelstelle für das Recycling von Elektro- und Elektronik-Altgeräten abgeben. Die getrennte Sammlung und Wiederverwertung Ihrer Altgeräte zum Zeitpunkt der Entsorgung trägt dazu bei, natürliche Ressourcen zu schonen und sicherzustellen, dass sie in einer Weise recycelt werden, die die menschliche Gesundheit und die Umwelt schützt. Weitere Informationen darüber, wo Sie Ihre Abfälle zum Recycling abgeben können, erhalten Sie bei Ihrer örtlichen Abfall- und/oder Umweltbehörde oder beim Kauf Ihres Produkts.



MERK - Apparatet skal ikke brukes av personer (inkludert barn) med reduserte fysiske, sensoriske eller mentale evner, eller mangel på erfaring og kunnskap, med mindre de er under tilsyn eller blir instruert. Barn under tilsyn skal ikke leke med apparatet.



Symbolet på produktet eller emballasjen indikerer at produktet ikke må kastes sammen med annet husholdningsavfall. Det er ditt ansvar å avhende utstyret ved å levere det til et egnet innsamlingssted for resirkulering av elektrisk og elektronisk utstyr. Separat innsamling og gjenvinning av kassert utstyr på tidspunktet for avhending vil bidra til å bevare naturressursene og sikre at det resirkuleres på en måte som ivaretar helse og miljø. For mer informasjon om hvor du kan levere avfall til gjenvinning, kan du kontakte lokale myndigheter eller der du kjøpte produktet.



HUOMIO – Henkilöiden (mukaan lukien lapset), joiden fyysinen, henkinen tai aistikapaseetti on heikentynyt tai joilla ei ole tarvittavaa kokemusta tai tarvittavia tietoja, ei tule käyttää tätä laitetta, ellei heitä valvota tai ellei heitä ole opastettu sen käytössä. Lapsia tulee vahtia, etteivät he leiki laitteen kanssa.



Tuotteessa tai sen pakkauksessa oleva merkintä tarkoittaa, ettei tätä tuotetta saa hävittää kotitalousjätteen mukana. Sen sijaan on sinun vastuullasi, että hävität käytetyn laitteen viemällä sen elektronisille ja sähkölaitteille tarkoitettuun keräyspisteeseen kierrätystä varten. Käytetyn laitteen hävittäminen erikseen kierrättämällä auttaa säilyttämään luonnonvaroja ja varmistamaan, että laite kierrätetään ihmisten terveyttä ja ympäristöä suojelevalla tavalla. Lisätietoja siitä, mihin voit viedä kierrätysjätteet, saat ottamalla yhteyttä paikallisiin viranomaisiin tai tuotteen myyntipaikkaan.



VAR FÖRSIKTIG! Anordningen får inte användas av personer (inklusive barn) med nedsatt fysisk, sensorisk eller mental förmåga eller som saknar erfarenhet eller kunskap, förutom när de övervakas eller instrueras. Man måste även säkerställa att barn inte leker med anordningen.



Symbolen på produkten eller på dess förpackning anger att produkten inte får slängas med hushållsavfall. Det åligger dig istället att kassera anordningen genom att ta den till en designerad insamlingspunkt för återvinning av kasserad elektrisk och elektronisk utrustning. Den separata insamlingen och återvinningen av din kasserade utrustning bidrar till att skydda naturresurser och säkerställa att den återvinns på ett sätt som skyddar människors hälsa och miljön. För mer information om vart du kan ta ditt avfall för återvinning ska du kontakta lokala myndigheter eller platsen där du köpte produkten.



ATTENZIONE - Questo apparecchio non deve essere utilizzato da persone (bambini inclusi) con ridotte capacità fisiche, sensoriali o mentali, o persone che non abbiano adeguata esperienza o conoscenza, a meno che non siano sotto stretta sorveglianza o siano state adeguatamente istruite circa l'uso dell'apparecchio stesso. I bambini sotto la supervisione di un adulto non devono giocare con questo apparecchio.



Il simbolo sul prodotto o sull'imballaggio indica che questo apparecchio non può e non deve essere smaltito con altri rifiuti domestici. Pertanto, è vostra responsabilità consegnare questo prodotto da smaltire ad un ente specializzato nel riciclaggio di materiale elettrico ed elettronico. La raccolta differenziata e il riciclaggio di tali rifiuti nel momento dello smaltimento aiuteranno a preservare le risorse naturali e garantiranno un riciclaggio adatto a proteggere il benessere dell'uomo e dell'ambiente. Per ulteriori informazioni su dove poter smaltire i rifiuti riciclabili, si prega di contattare l'autorità locale pertinente, o il punto vendita dove si è acquistato il prodotto.



MOSQUITO MAGNET®

MISE EN GARDE / PRECAUCIÓN / CUIDADO / ADVARSEL / ВНИМАНИЕ



MISE EN GARDE – Cet appareil ne peut pas être utilisé par des personnes mineures (moins de 18 ans) et par des personnes ayant des capacités physiques, sensorielles ou mentales réduites ou dénuées d'expérience ou de connaissance même s'ils (si elles) sont correctement surveillé(e)s ou si des instructions relatives à l'utilisation de l'appareil en toute sécurité leur ont été données et si les risques encourus ont été appréhendés. Les personnes mineures ne doivent pas jouer avec l'appareil. Le nettoyage et l'entretien par l'utilisateur ne doivent pas être effectués par des personnes mineures. L'appareil doit être utilisé uniquement avec l'alimentation fournie avec l'appareil.



Le symbole apposé sur le produit ou son emballage indique qu'il ne doit pas être mis au rebut avec les déchets ménagers. Il vous incombe de mettre au rebut votre équipement usagé en l'apportant à un point de collecte désigné pour le recyclage de l'équipement électrique et électronique. La collecte et le recyclage séparés de votre équipement usagé au moment de la mise au rebut permettra de préserver les ressources naturelles et de s'assurer qu'il est recyclé d'une manière qui protège la santé humaine et l'environnement. Pour de plus amples renseignements sur l'endroit où vous pouvez déposer les déchets à recycler, veuillez vous adresser aux autorités locales ou au magasin où vous avez acheté le produit.



PRECAUCIÓN: el aparato no debe ser utilizado por personas (incluidos niños) que tengan su capacidad física, sensorial o mental disminuida, o falta de experiencia y conocimientos, a menos que cuenten con supervisión o instrucciones (los niños deben ser supervisados para que no jueguen con el electrodoméstico).



El símbolo que aparece en el producto o el embalaje indica que este producto no debe desecharse como si fuese cualquier otro producto desechable de su hogar. En su lugar, usted es responsable de desechar el aparato depositándolo en uno de los puntos de recogida designados para reciclaje de productos eléctricos o electrónicos. Al separar y reciclar su equipo desechable de este manera, ayudará a conservar los recursos naturales y a asegurarse de que el reciclaje se realice de tal modo que proteja la salud humana y el medioambiente. Para más información sobre dónde depositar el producto desechable para su reciclaje, póngase en contacto con las autoridades de su localidad, o con el establecimiento donde adquirió el producto.



CUIDADO - O aparelho não deverá ser usado por pessoas (incluindo crianças) com reduzidas capacidades físicas, sensoriais nem mentais, nem com falta de experiência ou de conhecimentos, a não ser que lhes tenham sido dada instrução ou supervisão - deverá haver vigilância para que as crianças não brinquem com o aparelho.



O símbolo no produto ou na sua embalagem indica que este produto não deverá ser eliminado com outros lixos domésticos. Em vez disso, será da sua responsabilidade eliminar o seu equipamento adequadamente entregando-o num local de recolha de equipamentos eléctricos e electrónicos para serem reciclados. A recolha separada e a reciclagem dos seus equipamentos usados ajudarão a conservar os recursos naturais e a assegurar que eles sejam reciclados de uma maneira que proteja a saúde humana e o ambiente. Para obter mais informações sobre onde poderá entregar os seus lixos para reciclagem, por favor contacte as suas autoridades locais ou o local onde comprou o seu produto.



ADVARSEL - Apparatet må ikke anvendes af personer (herunder børn) med nedsatte fysiske, sensoriske eller mentale evner eller manglende erfaring og viden, medmindre de er blevet vejledt eller instrueret – børn, også dem, der er under opsyn, må ikke lege med apparatet.



Symbolet på produktet eller emballagen angiver, at dette produkt ikke må bortskaffes sammen med andet husholdningsaffald. I stedet er det dit ansvar at bortskaffe det brugte udstyr ved at aflevere det på et angivet indsamlingssted for genbrug af kasseret elektrisk og elektronisk udstyr. Denne særskilte indsamling og genbrug af dit kasserede udstyr på tidspunktet for bortskaffelsen hjælper med at bevare naturens ressourcer og sikrer, at udstyret genbruges på en måde, der beskytter menneskers helbred og miljøet. For mere information om, hvor du kan aflevere dit affald til genbrug, bedes du kontakte din kommune eller det sted, hvor du købte produktet.



ВНИМАНИЕ – Настоящим прибором нельзя пользоваться лицам (включая детей) с ограниченными физическими возможностями, характеристиками сенсорной системы и умственными способностями; лицам, не обладающим достаточным опытом или знаниями, или не получившим необходимых инструкций или подготовки; необходимо следить за тем, чтобы дети не играли с настоящим прибором.



Знак на этом приборе или на его упаковке указывает на то, что настоящий прибор нельзя выбрасывать с бытовым мусором. Вместо этого, Вы обязаны утилизировать использованный прибор, оставив его в соответствующем пункте сбора утильсырья и отходов производства электрического и электронного оборудования. Сбор и утилизация Вашего использованного оборудования поможет в сохранении природных ресурсов, в защите здоровья людей и окружающей среды. За дополнительной информацией о том, куда можно принести использованный прибор для утилизации, обращайтесь в местные органы власти или в место приобретения прибора.



MOSQUITO MAGNET®

Welcome

Congratulations on your purchase of Mosquito Magnet®. Now you can begin to enjoy your outdoor living space again.

Mosquito Magnet® is the #1 mosquito trap in North America. Backed by 18 years of research and independent testing, Mosquito Magnet® is scientifically proven to effectively reduce mosquitoes & other biting insects from your yard.

Mosquito Magnet® is easy to use. In this manual, you'll learn everything you need to know about how it works, optimal trap placement, maintenance, storage and warranty information. The keys to success are trap placement, utilization of the correct co-formulant for your area and routine maintenance. For optimal catch rate, you'll need to change the propane tank and co-formulant every 21 days.

Visit us online at www.mosquitomagnet.com for additional information regarding Mosquito Magnet® tips, testimonials, and additional product offerings.

Woodstream™ Corporation

69 North Locust Street
Lititz, PA 17543
1-800-953-5737
www.mosquitomagnet.com

The Mosquito Magnet® traps are covered by one or more of the following patents:

US & Canada

US Patents: Nos. 5,813,166; 6,655,080; 6,662,489; 6,817,140; 6,840,005; 6,848,466; 6,892,492; 7,074,830; 7,181,885; 7,281,351; 7,293,387; 7,536,824; 7,614,180; 7,910,091; 7,987,631; 8,006,432; 8,067,469; 8,141,291; 8,347,549; 8,470,881; 8,753,110; 8,973,299; 9,949,471
Canada Patents: Nos. 2322038; 2460876; 2558775; 2569737; 266346

All Other Countries

Australia: 735984; 2002356537; 2005226680; 2005251813; 2007258277; 2008246208; 2012202864 Brazil: 9908104-0; PI0213059-9; PI0508967-0
China: ZL0281957.X; ZL20058000881.0; ZL200580025316.5; ZL200580046646.2; ZL200780029874.8; ZL200910254151.9
Denmark: 1432304
Europe: 1049373; 1432304; 1537780; 1827093; EP1725094B; EP1765068B
Finland: 1432304; 1827093; EP1725094B
France: 1049373; 1432304; 1537780; 1765068; 1827093; EP1725094B
Germany: 1049373; 1725094; 60211538.8
Hong Kong: HK1107743; HK1112810; HK11148207 Italy: 1049373; 1432304; 1537780; 1725094; 1765068; 1827093
Japan: 4317748; 4741578; 5444525
Mexico: 314022
New Zealand: 506403; 542745
Portugal: 1765068
Sweden: 1432304; 1537780; 1765068; 1827093; EP1725094B
United Kingdom: 1049373; 1432304; 1537780; 1725094; 1765068; 1827093

Made in China

FOR YOUR SAFETY

If you smell gas:

1. Shut off the gas to the appliance.
2. Extinguish any open flame.
3. Open lid.
4. If odor continues, immediately call your gas supplier or your fire department.

FOR YOUR SAFETY

1. Do not store or use gasoline or other flammable vapors and liquids in the vicinity of this or any other appliance.
2. An LP cylinder not connected for use shall not be stored in the vicinity of this or any other appliance.



MOSQUITO MAGNET®

Contents

Safety Instructions

Principal Parts

Assembly Instructions

Set-Up

- Charging Instructions
- Trap Placement
- Propane Tank Installation

Instructions

- Starting Instructions
- Shut Down Instructions
- When Not In Use
- End of Season Storage
- For Best Results

Smart Technology

Maintenance

- Maintenance
- Propane Tank Changing Tips
- Maintenance Schedule

Troubleshooting

E6-7

E8

E9

E10-11

E12

E13

E14

E15



How the Mosquito Magnet® Works

Mosquitoes and other biting insects use the attractant carbon dioxide (CO₂) to locate people. The Mosquito Magnet® mimics a human by converting propane to CO₂, with its patented catalytic conversion technology.

Attracted by the CO₂ mosquitoes and other biting insects are drawn to the Mosquito Magnet®. When they reach the trap, the insects are vacuumed into a bug bag by our patented Counterflow Technology™, where they dehydrate and die within 24 hours.

The Mosquito Magnet® is silent, odorless and runs 24/7. When properly placed in your yard, the **trap begins working immediately. Noticeable results can be achieved in 7 to 10 days**, to greatly reduce your biting insect population, allow 4 weeks. To increase the effectiveness of CO₂ a co-formulant can be added such as R-Octenol or Mosquito Magnet® Pod. Leave the Mosquito Magnet® out all summer long, to control the mosquito population in your yard.

Only biting insects are targeted including mosquitoes, no-see-ums, black flies and midges. Beneficial insects such as butterflies, bees or moths are not targeted.

Woodstream™ Corporation
69 North Locust Street
Lititz, PA 17543
www.mosquitomagnet.com

Model No.:	Executive
Serial No.:	
Type of Gas:	Propane
Manifold Pressure:	100 – 110 psi
Minimum Gas Supply Pressure:	11.0 in. WC
Input Rating:	759 Btu/Hr.
Minimum Clearances:	50-60cm



MOSQUITO MAGNET®

Safety Instructions

Please read and follow all safety instructions and warnings.

Children and adults should be alerted to the hazards of high surface temperatures and should stay away to avoid burns or clothing ignition.

Young children should be carefully supervised when they are in the area of the heater. Keep out of reach of children.

Clothing or other flammable materials should not be hung from the heater, or placed on or near the heater.

Note: Some or all of the following required safety instructions for propane powered devices may apply to your trap. Allow trap to cool for 5 minutes before re-starting.

Warning: Improper installation, adjustment, alteration, service or maintenance can cause injury or property damage. Read the installation, operating and maintenance instructions thoroughly before installing or servicing the trap.

Caution: The gas pressure regulator provided with this appliance must be used. This regulator is set for an outlet pressure of 11.0 in. Water Column. The minimum inlet gas supply pressure is 11.0 in. Water Column from regulator.

- This unit is not intended to be installed in or on recreational vehicles and/or boats.
- The gas supply must be turned off at the LP-Gas supply cylinder when this appliance is not in use.
- The installation must conform with local codes.
- To test for a gas leak, place soapy water around the connector, regulator, and gas hose assembly. If bubbles appear, there is a gas leak.
- Inspect the hose before each use of the unit. If it is evident there is excessive abrasion or wear, or the hose is cut, it must be replaced prior to the unit being put into operation. The replacement hose shall be that specified by the manufacturer.
- The trap is equipped with an internal spark ignition device. Failure to follow starting procedure will result in the trap not starting.
- Installation and repair should be done by a qualified service person (find service centers on www.mosquitomagnet.com). The heater should be inspected before use and at least annually by a qualified service person. More frequent cleaning may be required as necessary. It is imperative that the control compartment, burners, and circulating air passageways of the heater be kept clean.



MOSQUITO MAGNET®

Safety Instructions

- Maintain adequate clearances of 50-60cm around air openings into the combustion chamber, clearances from combustible material, provisions for accessibility and for combustion and ventilating air supply. Keep the trap area clear and free from combustible materials, gasoline, and other flammable vapors and liquids. The appliance is not to be used in locations where flammable vapor or explosive dust is likely to exist.
- Do not obstruct the flow of combustion and ventilation air.
- Keep the ventilating openings of the cylinder enclosure free and clear from debris.
- Clean the trap with a water damp cloth, if necessary.
- A maximum of a 20 lb. LP-Gas cylinder shall be used.
- The LP-Gas cylinder supply system must be arranged for vapor withdrawal and the cylinder must include a collar to protect the cylinder valve.
- The trap shall be used outdoors only in a well ventilated space and shall not be used in a building, garage, or any other enclosed area.
- The LP-Gas cylinder must be disconnected and removed from the appliance, if the appliance is stored indoors.
- LP-Gas cylinders must be stored outdoors in a well-ventilated area out of reach of children.
- Disconnected cylinders must have threaded valve plugs tightly installed and must not be stored in a building, garage, or any other enclosed area.
- The pressure regulator and hose assembly supplied with this appliance must be used for connection to the LP-Gas cylinder. Replacement pressure regulators and hose assemblies must be specified by the manufacturer.
- Avoid improper use of extension cords. Keep connections away from moisture and avoid damage to the cord.
- If the supply cord is damaged, it must be replaced by the manufacturer or its service agent or a similarly qualified person in order to avoid hazard.
- Do not store near heat or fire or where temperature may exceed 60°C.
- PPG Regulator and Hose Assembly Class A
- Rated Working Pressure: 2.74 kPa
Outlet Pressures: 2.50 kPa to 3.5 kPa
Velocity: 165 ft/min to 275 ft/min

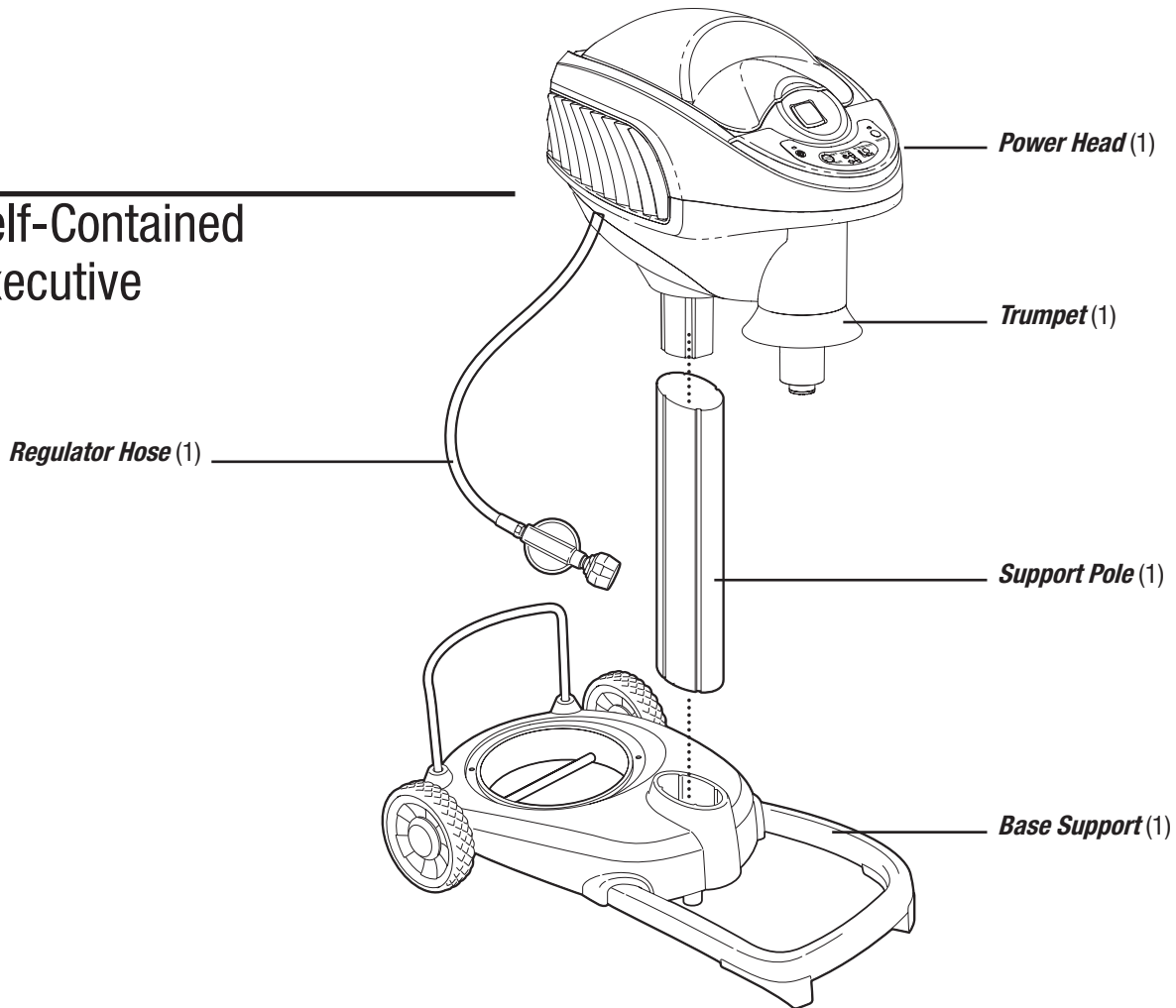
Visit www.mosquitomagnet.com



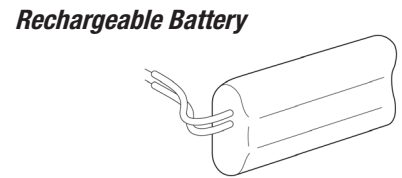
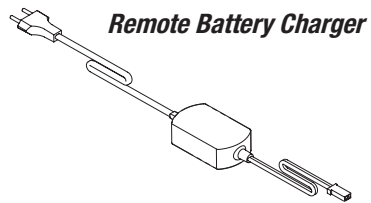
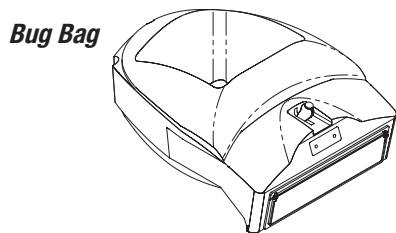
MOSQUITO MAGNET®

Principle Parts

Self-Contained
Executive



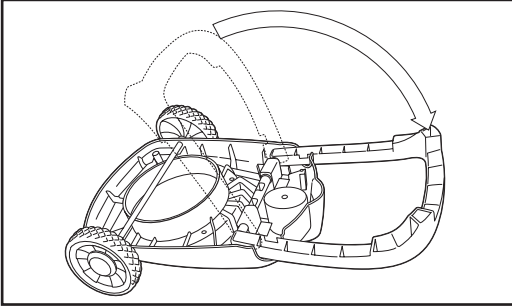
Parts Included



Assembly Instructions

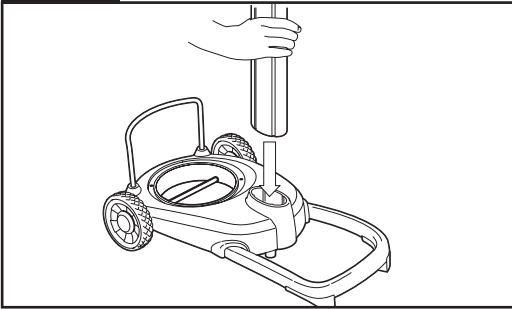
Trap Assembly:

Step 1



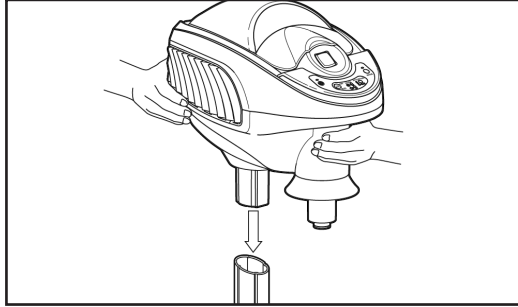
Place base upside down on a flat surface, unfold U-shaped support leg until it locks in place.

Step 2



Turn base and leg assembly right-side-up and place support pole into cavity on base.

Step 3



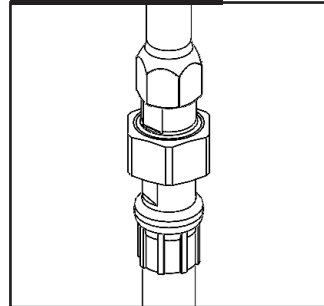
Place trap power head onto pole. Press down firmly with two hands to secure.

Assembled trap should have the front of power head/trumpet placed farthest from the wheels in the same direction as base U-shaped legs.

Step 4

The battery is not fully charged at the factory; charge the battery before the first use. Under proper usage, one charge lasts all season. See page 10 for further details.

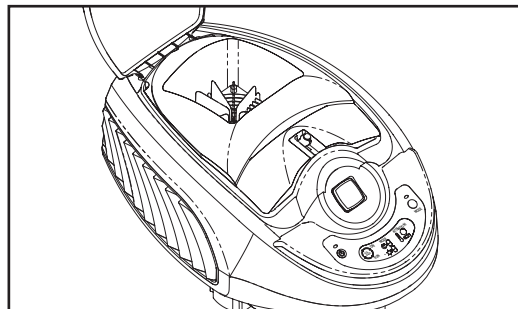
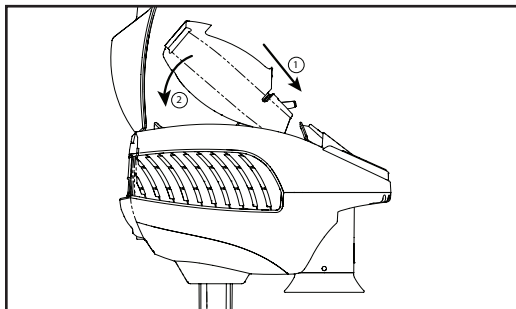
CAUTION



DO NOT BUMP HOSE ATTACHMENT WITH PROPANE TANK.
DO NOT TAMPER WITH HOSE ATTACHMENT CONNECTED TO TRAP.

Bug Bag Installation:

To insert Bug Bag, first engage front/open section then gently push the back end down into place.



MOSQUITO MAGNET®

Set-Up

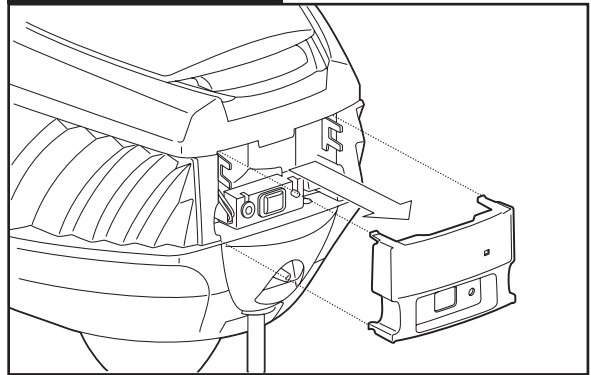
Charging Instructions

1. Remove cover panel from rear of Power Head Unit (panel snaps off). Press the battery latch & pull out of the trap to disconnect. Remove the battery by pulling up on the bottom and rotating the battery out of position.
2. The Battery Charger is not rated for Outdoor use. The battery must be charged indoors.
3. Plug the Battery Charger into a suitable indoor outlet.
4. Connect the re-chargeable battery to the battery charger.
5. The LED on the Battery Charger will indicate Red when the battery is charging, when the battery is fully charged the LED will indicate Green. The typical charge time is less than two hours.
6. The battery charger is automatic, it will shut down to a safe maintenance charge current when the battery is fully charged. It will not over charge the battery. For maximum life, do not leave the battery on the charger for extended periods.
7. When the battery is fully charged, disconnect the battery from the battery charger and return it in the Mosquito Magnet Executive.
8. Insert and connect the re-chargeable battery.
9. Replace the cover panel on the rear of Power Head Unit.

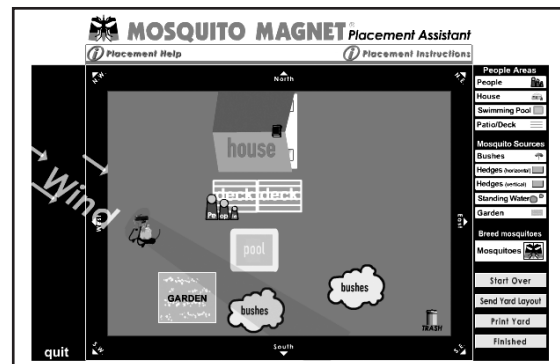
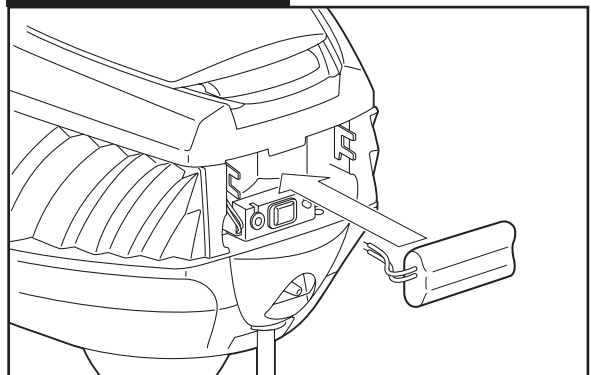
Trap Placement

1. Determine the direction of the prevailing wind. Check local weather patterns if you are unsure.
2. Stand in the center of the area you are trying to protect and look toward the prevailing wind.
3. Proper placement of the trap will be approximately 10m in front of you, within 1.5-2m of ground cover (i.e. bushes, flowerbeds, tree line, marshbed). Ensure that trap is not directly against any blockades such as buildings, fences, etc.
4. It is recommended that the trap be placed in the shade.
5. Do not place trap directly above a water source (sprinklers, hose, etc.).
6. Trap must be placed on level ground to avoid tipping or uneven propane distribution.
7. For optimal trap placement in your yard, refer to the instructional video at www.mosquitomagnet.com/videos to build your own yard diagram for correct trap placement.

Remove Back Panel



Insert & Connect Battery



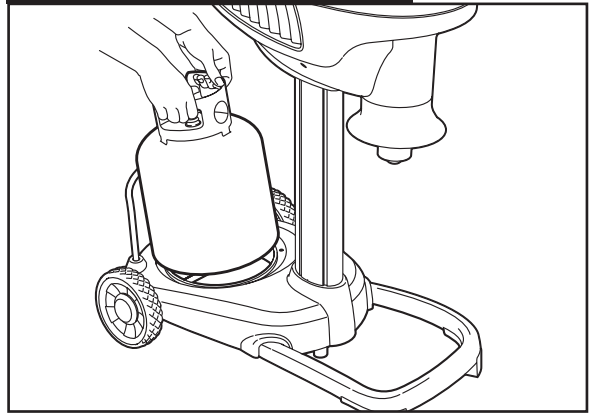
Set-Up

Propane Tank Installation

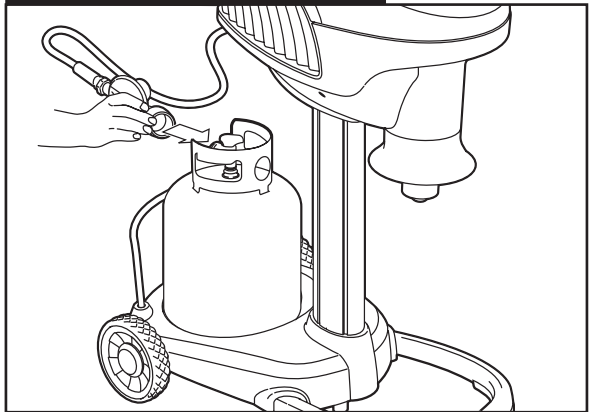
1. After trap is placed in its ideal location, place propane tank onto the molded cradle.
2. Make sure propane tank is fully closed. Attach propane regulator hose to propane tank. Secure tightly by hand. **Do not use tools.**
3. Turn propane on by slowly turning valve counter-clockwise. Take care not to turn too quickly to avoid engagement of safety valve.

⚠ DO NOT MOVE TRAP WITH TANK ATTACHED!
TANK MUST BE DISCONNECTED FROM REGULATOR BEFORE TRAP IS RELOCATED TO AVOID DAMAGE TO REGULATOR AND/OR TRAP. BE ADVISED, DAMAGE CAUSED FROM FAILURE TO COMPLY WITH THIS INSTRUCTION IS NOT COVERED UNDER WARRANTY.

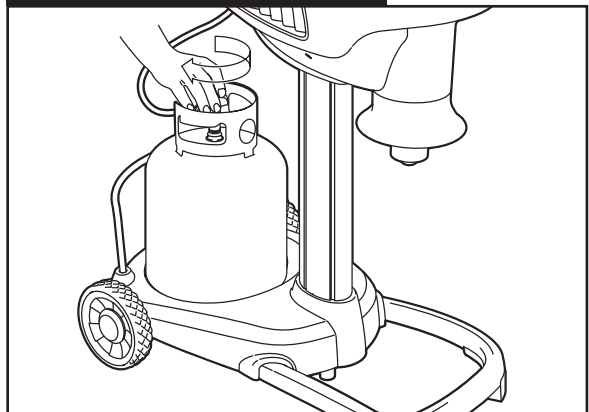
Step 1 - Propane Tank Placement



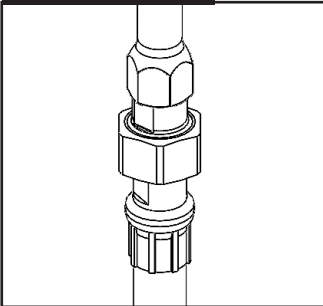
Step 2 - Attach Regulator



Step 3 - Slowly Open Valve



CAUTION



DO NOT BUMP HOSE ATTACHMENT WITH PROPANE TANK. DO NOT TAMPER WITH HOSE ATTACHMENT CONNECTED TO TRAP.



MOSQUITO MAGNET®

Instructions

****READ MANUAL BEFORE STARTING****

Charge your battery per instructions. Under proper usage, battery will last all season.

Starting Instructions

It is recommended that you read the entire manual before starting the Mosquito Magnet® trap.

1. To start the trap, press and hold the ON/OFF button for three seconds until the orange LED illuminates.
2. RUN will show on the display. WARM and the indicator arrows will also flash on the display. The LED (indicator above ON/OFF button) will be orange.
3. The fan will ramp from low speed to high speed after approximately 3 minutes.
4. The display will flash WARM and the LED will be orange for approximately 15-25 minutes while the trap is warming up.
5. After the trap reaches operating temperature, the LED will be green and WARM will disappear from the display.

Shut Down Instructions

To turn off the trap, press the ON/OFF button. RUN will show on the display. COOL and the indicator arrows will flash on the display. The LED will be green. After a two minute cool down, the fan will stop, the LED will turn off and OFF will show on the display.

When Not In Use

If the unit is not in use, the gas must be turned off at the supply cylinder. Storage of this unit indoors is permissible only if the cylinder is disconnected and removed. Cylinders must be stored outdoors, out of reach of children and must not be stored in a building, garage or any other enclosed area.

End of Season Storage

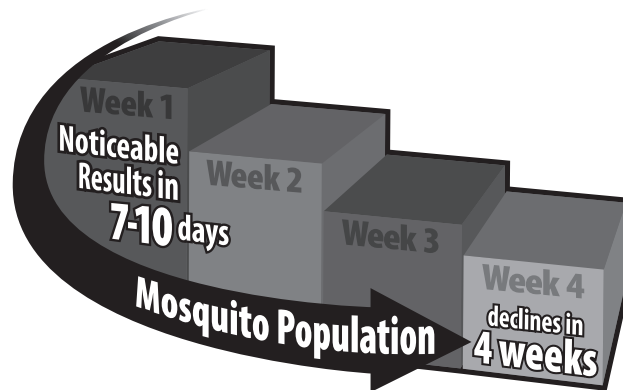
Push ON/OFF switch to OFF position to shut down the trap. The LED light will go out and the fan will continue running until trap is cool. Close the propane tank valve and disconnect regulator.

Any open Mosquito Magnet® cartridge should be removed and discarded. See co-formulant label for disposal instructions. The bug bag should also be discarded prior to storing the trap.

STORAGE: The trap should be stored indoors in a garage or shed in the off-season. Cover trumpet to prohibit insects from nesting. Cover unit with a tarp and secure tightly at the bottom to keep out dust, spider webs and other debris.

For Best Results (unit must run for 24 hours/day)

- **Your trap will begin capturing immediately with significant reduction in the mosquito population in 7-10 days.** Allow 4 weeks to significantly reduce the mosquito population in your yard.



- Allow trap to cool for 5 minutes before re-start.
- Never spray insecticide in or around trap.
- Trap can be left running in the rain.
- If using lime or fertilizer compounds, be sure to shut down the trap first to prevent dust or fine mist from being drawn into trap and clogging bug bag.

Warning: Improper installation, adjustment, alteration, service or maintenance can cause injury or property damage. Read the installation, operating and maintenance instructions thoroughly before installing or servicing this equipment.

Caution: The gas pressure regulator provided with this appliance must be used. This regulator is set for an outlet pressure 11.0 in. water column.

The gas supply must be turned off at the LP-Gas supply cylinder when this appliance is not in use.



MOSQUITO MAGNET®

Smart Technology

Setting Fuel-Saving Modes

The trap has the option to run 24/7 or in one of 4 Fuel-saving Modes which can extend the life of your propane tank. The propane tank will last 21 days by operating your trap 24/7, which is recommended for the corresponding propane usage expended based on the mode of operation.

Operation Fuel-Saving	Tank Life*	Shut Down Day Time	Shut Down Night Time
Mode 1	22 days	1 Hr	1 Hr
Mode 2	24 days	2 Hr	2 Hr
Mode 3	27 days	3 Hr	3 Hr
Mode 4	30 days	4 Hr	4 Hr

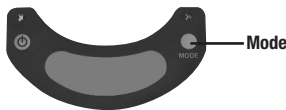
*Based on a 20lb. (9.07kg.) propane tank


The Fuel-Saving Mode of operation will stop the propane use in the middle of the day & during the middle of the night. Research has shown mosquito activity is typically lowest during these time frames.

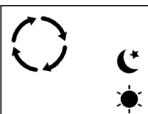
NOTE: The “Smart Technology” system automatically learns the cycles of day and night within a 24 hour period while in the Fuel-Saving Mode. This system uses a photo sensor to allow the trap to learn and adjust shut downs based on the shift in sunrise and sunset as seasons change.

Fuel-Saving Modes

1. Press the MODE button to select the Gas Saver Mode Setting.



2.  Every time the MODE button is pressed the Mode will cycle through 1, 2, 3, 4, Off, 1, etc.
3. Mode 1 will shut down the trap 1 hour during the middle of the day and 1 hour during the middle of the night Modes 2, 3, and 4 correspond to 2, 3, and 4 hours of shut down time respectively.

4.  To indicate the trap is in Fuel-Saver Mode, the arrows will flash and the green LED light will be off. Additionally, the Sun element will

flash during the day and the Moon element will flash during the night when the trap is in Fuel-Saving Mode. The fan will continue to operate in the trap, at a reduced speed, to prevent any escape of mosquitoes but will not capture any additional mosquitoes during this time frame.

5. If the trap is set in the fuel-saving mode, the battery must be disconnected and then reconnected every time the propane tank is refilled. The battery disconnect is required to reset the Fuel Saving timer.



Cold Temperature Shutdown

The trap has a temperature sensor that can be used to automatically put the trap in a standby mode when the outdoor air temperature and the trap temperature are both below a **user selectable** set point. Research has shown that there is very little mosquito activity when the air temperature drops below 50°F (10°C). However, in some locations and with some mosquito species, activity can continue at temperature shutdown point starting at 50°F (10°C). The trap has a **user selectable** cold temperature shutdown point starting at 50°F (10°C) and incrementing down in increments of 5°F (2.8°C) to a minimum temperature of 30°F (-1°C). **The default setting on the trap is no cold temperature shutdown.**

To access the Cold Temperature Shutdown parameters, press and hold the Mode button for at least 3 seconds until the Cold Temperature Shutdown menu appears. Toggle through the temperature choices by pressing the Mode button, beginning with Off (blank) and then to 30, 35, 40, 45, and 50 (°F). Continue to toggle the Mode button after 50 will return to Off (blank) and then repeat the cycle. Once a temperature choice has been made, stop pressing the Mode button; wait approximately 3 seconds; and your temperature choice will be automatically saved.

If the trap is running (the word RUN is visible and the green LED light is on), and a cold temperature shutdown value has been selected, the trap will shut down when the air temperature and the trap temperature has dropped below that set point. When the trap is in the Cold Temperature Shutdown Mode the word COOL and the Thermometer icon will flash. The trap will restart when the temperature sensor indicates that the air temperature and the trap temperature are **approximately 5°F (2.8°C) above the selected cold temperature shutdown value.**

If the trap is in warm up mode when the temperature drops below the selected set point, it will shut down, **but it will not restart automatically.**



Low Battery Warning

The battery icon and attention will flash if the battery needs to be recharged.

Child Safety Lock

The ON/OFF button needs to be held for 3 full seconds to turn-on the trap.



MOSQUITO MAGNET®

Maintenance

Maintenance

If using one of our Fuel-Saving Modes, be sure to adjust the dates accordingly.

- **21 Day Maintenance Cycle**
 - Refill propane. (Propane lasts approximately 21 days with 24-hour/7-days operation.)
 - Replace co-formulant cartridge.
See Mosquito Magnet® co-formulant label for instructions.
 - Empty or replace bug bag.
- Periodically wipe down the outside of the trap with a clean, water damp cloth.
- Charge your battery for 24 hours at the beginning of the season.

Propane Tank Changing Time




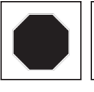

When attaching the regulator knob to a tank after a tank change, be sure to fully tighten the regulator knob onto the tank. No need to use tools, but do turn the knob as far as possible by hand. When this is done, loosen the knob 1/4 turn, then re-tighten to maximize seal.

The purpose for this is to fully engage the regulator onto the tank. If the regulator is not fully engaged, the flow of gas may be restricted to the point where the trap will show a gas empty code. If this occurs, press the off button, close the tank valve, and remove the regulator from the tank. Re-attach the regulator and try again.



MOSQUITO MAGNET®

Troubleshooting

Problem	Possible Cause	Solutions
<p>Unit won't start Unit won't stay running</p> <p>LCD</p>  <p>LED - Red LED Flashing at 7 second intervals</p>	<ol style="list-style-type: none"> 1. Propane tank may be empty. 2. If propane tank is new and has been newly filled it must be purged. 3. There could be a loose connection. 4. Fuel line may be blocked by propane contaminants. 5. Regulator is not fully engaged. 6. Bug bag may be full or clogged. 	<ol style="list-style-type: none"> 1. Weigh tank and check against "empty" weight. 2. Bring tank to filling location. Air may be in fuel line. Ask for tank to be purged. <i>Hint: If you have another propane powered device operating on a standard, 20 lb propane tank, try hooking that tank up to the trap to verify that the issue is with your tank.</i> 3. Verify all connections. Make sure propane tank valve is fully open. 4. Replace the bug bag.
<p>Unit won't stay Running</p> <p>LCD</p>  <p>LED - Flashing Red/Orange at 7 second intervals</p>	<ol style="list-style-type: none"> 1. Low Battery Voltage. 	<ol style="list-style-type: none"> 1. Charge the battery before the first use and at the beginning of each season. The Charger LED will be Green when the battery is fully charged. 2. Check battery connection, making sure it is fully inserted and locked. 3. If a fully charge battery indicates Low Battery Voltage during the cycle, recharge or replace the battery.
<p>Unit shut down</p> <p>LCD</p>  <p>LED - Flashing Red/Green at 7 second intervals</p>	<ol style="list-style-type: none"> 1. High Temperature. 	<ol style="list-style-type: none"> 1. Turn off trap and allow to cool for one hour, then restart. If the code continues contact your Local Service Provider or call Customer Care on:- +001-800-953-5737 (USA) or +44 (0) 1572 722558 (UK).
<p>Unit shut down</p> <p>LCD</p>   <p>LED - Double Flashing Red LED at 7 second intervals</p>	<ol style="list-style-type: none"> 1. Thermistor Fault. 	<ol style="list-style-type: none"> 1. Contact your Local Service Provider or call Customer Care on:- +001-800-953-5737 (USA) or +44 (0) 1572 722558 (UK).
<p>Unit shut down LED - Solid Red</p>	<ol style="list-style-type: none"> 1. Electrical Fault. 	<ol style="list-style-type: none"> 1. Contact your Local Service Provider or call Customer Care on:- +001-800-953-5737 (USA) or +44 (0) 1572 722558 (UK).
<p>Low or no catch</p>	<ol style="list-style-type: none"> 1. Insects may not be out yet. 2. Trap placement issue. 3. Biting insect reproductive cycles have not yet been broken. 4. Counterflow may be disrupted. 	<ol style="list-style-type: none"> 1. Verify temperature is consistently over 50° F (10°C). 2. Follow steps in the "Trap Placement" section of your owner's manual. 3. Keep trap in constant operation 24 hours/day, 7 days per week for at least 4 weeks to reduce the mosquito population. 4. Air flow may be restricted. Contact your Local Service Provider.





MOSQUITO MAGNET®

ES

Manual de funcionamiento



MOSQUITO MAGNET®

Índice

Desconexión por baja temperatura	S3
Bienvenido	S4
Instrucciones de seguridad	S5-6
Partes Principales	S7
Instrucciones de ensamblaje	S8
Instalación	S9-10
Instrucciones para cargar la batería	
Ubicación de la trampa	
Instalación del tanque de butano	
Instrucciones	S11
Instrucciones de inicio	
Instrucciones de apagado	
Cuando no está en uso	
Almacenamiento al final de la temporada	
Para mejores resultados	
Tecnología Inteligente	S12
Mantenimiento	S13
Mantenimiento	
Consejos para cambiar el tanque de butano	
Cronograma de mantenimiento	
Solución de problemas	S14

Preguntas o comentarios

Par favor, comuníquese con Woodstream™ Corporation si tiene preguntas o problemas con el producto Mosquito Magnet®:
1-800-953-5737

Woodstream™ Corporation
69 North Locust Street
Lititz, PA 17543
www.mosquitomagnet.com

Modelo No.:	Executive
No. de Serie:	
Tipo de Gas:	Butano
Presión del distribuidor:	100 – 110 psi
Presión mínima del suministro de gas:	28 cm de columna de agua
Capacidad nominal de entrada:	759 Btu/Hr.
Espacios libres mínimos:	De 51 a 61 cm



Cómo funciona Mosquito Magnet®

Los mosquitos y otros insectos que pican utilizan el dióxido de carbono (CO₂) atrayente de largo alcance para ubicar a las personas. Una vez cerca, los mosquitos utilizan atrayentes de corto alcance como los olores que emite la piel, con el fin de determinar la persona a la que van a picar. Mosquito Magnet® imita al ser humano mediante la conversión de gas butano en CO₂, con su tecnología de conversión catalítica patentada, en combinación con un cebo atrayente de corto alcance.

Los mosquitos y otros insectos que pican, atraídos por el CO₂ y el cebo atrayente de corto alcance, se dirigen hacia la trampa Mosquito Magnet®. Al llegar a la trampa, una bolsa para insectos los aspira utilizando la tecnología patentada Counterflow Technology™, en donde se deshidratan y mueren en 24 horas.

La trampa Mosquito Magnet® es silenciosa, inodora y funciona 24 horas, 7 días a la semana. Si está ubicada en el lugar apropiado en su patio o jardín, **la trampa empieza a funcionar inmediatamente. Pueden lograrse resultados visibles entre 7 y 10 días.** Ty 10 días. Para reducir significativamente la población de insectos que pican, permita que pasen entre 4 semanas. Para controlar la población de mosquitos en su patio o jardín, deje funcionando la trampa Mosquito Magnet® todo el verano.

La trampa sólo atrapa insectos que pican tales como mosquitos, zancudos, moscas negras y jejenes. La trampa no se dirige a insectos benéficos tales como mariposas, abejas o polillas.



MOSQUITO MAGNET®

Desconexión por baja temperatura

La trampa dispone de un sensor de temperatura que se puede utilizar para colocar la trampa en la modalidad de espera automáticamente cuando tanto la temperatura del aire exterior como la de la trampa sean inferiores a un punto de configuración **seleccionable por el usuario**. La investigación ha demostrado que se produce muy poca actividad de mosquitos cuando la temperatura del aire es inferior a 10 °C (50 °F). Sin embargo, en algunos lugares y dependiendo de la especie del mosquito, la actividad puede continuar en temperaturas inferiores a los 10 °C (50 °F). La trampa tiene un punto de desconexión por baja temperatura **seleccionable por el usuario** que comienza en los 10 °C (50 °F) y continúa en incrementos descendentes de 2,8 °C (5 °F) hasta una temperatura mínima de -1°C (30 °F). **La configuración predeterminada de la trampa no incluye la desconexión por baja temperatura.**

Para acceder a los parámetros de desconexión por baja temperatura, presione y sostenga el botón de modalidad durante 3 segundos al menos hasta que aparezca el menú de desconexión por baja temperatura. Desplácese a través de las opciones de temperatura presionando el botón de modalidad, comenzando con Off (desconectado) y luego a -1, 1,7, 4,4, 7,2 y 10 °C (30, 35, 40, 45 y 50 °F). Continuar alternando el botón de modalidad después de 10 °C (50 °F) hará que regrese a Off (desconectado) y luego se repite el ciclo. Una vez que haya escogido la temperatura, deje de presionar el botón de modalidad; espere aproximadamente 3 segundos y la opción de temperatura elegida se guardará automáticamente.

Si la trampa está activada (la palabra RUN [Funcionando] está visible y la luz verde del LED está encendida) y si ha seleccionado un valor de desconexión por baja temperatura, la trampa se desactivará cuando la temperatura del aire y de la trampa haya descendido por debajo del punto configurado. Cuando la trampa está en la modalidad de desconexión por baja temperatura, la palabra COOL [Frío] y el icono del termómetro destellarán. La trampa volverá a funcionar cuando el sensor de temperatura indique que la temperatura tanto del aire como de la trampa estén **aproximadamente 2,8 °C (5 °F) por encima del valor de desconexión por baja temperatura que haya seleccionado.**

Si la trampa se encuentra en el modo de preparación cuando la temperatura descienda por debajo del punto de configuración seleccionado se desconectará, **pero no se reiniciará automáticamente.**

Woodstream Corporation
69 North Locust Street
Lititz, PA 17543
United States
www.mosqitomagnet.com



MOSQUITO MAGNET®

Bienvenido

Felicitaciones por la compra de su equipo Mosquito Magnet®. Ahora puede empezar a gozar nuevamente del espacio al aire libre.

Mosquito Magnet® es la primera trampa para mosquitos en Norteamérica. Con el apoyo de 18 años de investigación y pruebas independiente, la trampa Mosquito Magnet® está científicamente probada para reducir los mosquitos y otros insectos que pican en su patio o jardín.

Mosquito Magnet® es fácil de usar. El www.mosquitomagnet.com/videos enlace proporciona información clave para empezar. En este manual, usted obtendrá la información que necesita para saber cómo funciona, la ubicación óptima de la trampa, mantenimiento, almacenamiento y garantía. Las claves del éxito son la ubicación de la trampa, la utilización del cebo atrayente correcto para su área y el mantenimiento de rutina. Para lograr la caza óptima de mosquitos, deberá cambiar el tanque de butano y el cebo atrayente cada 21 días.

Visítenos en www.mosquitomagnet.com para obtener información adicional sobre Mosquito Magnet®, consejos, testimonios y ofertas de productos adicionales.

Woodstream™ Corporation

69 North Locust Street

Lititz, PA 17543

1-800-953-5737

www.mosquitomagnet.com

Las trampas Mosquito Magnet® están cubiertos por una o más de las siguientes patentes:

US & Canada

US Patents: Nos. 5,813,166; 6,655,080; 6,662,489; 6,817,140; 6,840,005; 6,848,466; 6,892,492; 7,074,830; 7,181,885; 7,281,351; 7,293,387; 7,536,824; 7,614,180; 7,910,091; 7,987,631; 8,006,432; 8,067,469; 8,141,291; 8,347,549; 8,470,881; 8,753,110; 8,973,299; 9,949,471

Canada Patents: Nos. 2322038; 2460876; 2558775; 2569737; 266346

All Other Countries

Australia: 735984; 2002356537; 2005226680; 2005251813; 2007258277; 2008246208; 2012202864 Brazil: 9908104-0; PI0213059-9; PI0508967-0

China: ZL0281957.X; ZL20058000881.0; ZL200580025316.5;

ZL200580046646.2; ZL200780029874.8; ZL200910254151.9

Denmark: 1432304

Europe: 1049373; 1432304; 1537780; 1827093; EP1725094B; EP1765068B

Finland: 1432304; 1827093; EP1725094B

France: 1049373; 1432304; 1537780; 1765068; 1827093; EP1725094B

Germany: 1049373; 1725094; 60211538.8

Hong Kong: HK1107743; HK1112810; HK1148207 Italy: 1049373;

1432304; 1537780; 1725094; 1765068; 1827093

Japan: 4317748; 4741578; 5444525

Mexico: 314022

New Zealand: 506403; 542745

Portugal: 1765068

Sweden: 1432304; 1537780; 1765068; 1827093; EP1725094B

United Kingdom: 1049373; 1432304; 1537780; 1725094; 1765068; 1827093

Hecho en China

PARA SU SEGURIDAD

Si siente olor a gas:

1. Cierre la entrada de gas al aparato.
2. Apague cualquier llama expuesta.
3. Abra la tapa.
4. Si el olor continúa, llame inmediatamente a su proveedor de gas o a los bomberos.

PARA SU SEGURIDAD

1. No almacene ni utilice gasolina ni otros vapores y líquidos inflamables en las proximidades de éste o cualquier otro aparato.
2. Un tanque LP que no esté conectado no deberá almacenarse en las proximidades de este o cualquier otro aparato.



MOSQUITO MAGNET®

Instrucciones de seguridad

Por favor, lea y siga las instrucciones y advertencias de seguridad.

Se debe alertar a los niños y adultos de los peligros de las temperaturas elevadas de las superficies y deberán mantenerse alejados para evitar quemaduras o que la ropa se incendie.

Los niños pequeños deberán estar bajo supervisión cuando estén alrededor del área del calentador. Manténgase el equipo fuera del alcance de los niños.

No debe colgar ropa ni materiales inflamables en el calentador, ni colocarlos encima o cerca del mismo.

Nota: Algunas o todas las siguientes instrucciones de seguridad para dispositivos activados con gas butano pueden aplicarse a su trampa. Deje que la trampa se enfríe durante 5 minutos antes de volver a encenderla.

⚠ Advertencia: La instalación, ajuste, alteración, servicio o mantenimiento inadecuados pueden causar lesiones personales o daños materiales. Lea atentamente las instrucciones de instalación, operación y mantenimiento antes de instalar o de dar mantenimiento a la trampa.

⚠ Precaución: Debe utilizar el regulador de presión de gas que viene con este artefacto. Este regulador está fijado para una presión de salida de 28 cm de columna de agua. La presión mínima del suministro de gas de entrada es para 28 cm de columna de agua del regulador.

- Esta unidad no está diseñada para instalarse en vehículos recreacionales ni en botes.
- Cuando este artefacto no esté en uso, debe apagar el suministro de gas en el tanque de suministro de gas butano.
- La instalación debe hacerse en conformidad con los códigos locales o, en ausencia de códigos locales, de acuerdo con el Código Nacional de Gas Combustible, ANSI Z223. 1-1998 para EE.UU., y de acuerdo con CAN1-B149 para Canadá.
- Para determinar si hay fuga de gas, coloque agua jabonosa alrededor del ensamblaje del conector, regulador y manguera de gas. Si aparecen burbujas, significa que hay una fuga de gas.
- Revise la manguera antes de utilizar la unidad. Si es evidente que hay abrasión o desgaste excesivos, o si la manguera tiene un corte, debe cambiarse antes de hacer funcionar la unidad. La manguera de repuesto debe ser la que especifica el fabricante.
- La trampa está equipada con un mecanismo de chispa interno. El no seguir el procedimiento de arranque puede causar que la trampa no arranque.
- La instalación y la reparación deben hacerlas el personal de mantenimiento calificado (puede encontrar centros de mantenimiento en www.mosquitomagnet.com). Personal de mantenimiento calificado debe inspeccionar el calentador antes de usarlo por lo menos una vez al año. Puede requerirse limpieza con más frecuencia, si es necesario.



MOSQUITO MAGNET®

Instrucciones de seguridad

- Mantenga espacios libres adecuados de 51 a 61 cm alrededor de las aberturas de aires que van hacia la cámara de combustión; mantenga lejos los materiales combustibles; deje espacio libre para facilitar el acceso para que haya suficiente aire para combustión y ventilación. Mantenga el área de la trampa libre de materiales combustibles, gasolina y otros vapores y líquidos inflamables. No debe utilizarse este artefacto en lugares donde probablemente exista vapor combustible o polvos explosivos.
- No obstruya el flujo de aire de combustión y ventilación.
- Mantenga libres y sin residuos a aberturas de ventilación del recinto del tanque.
- Limpie la trampa con un trapo húmedo, si es necesario.
- Debe utilizar un tanque de gas butano de un máximo de 20 lb (9 kg).
- El tanque de gas butano debe tener una válvula de cierre que termina en una salida de válvula de tanque de gas butano especificada para Conexión No. 510 conforme al estándar de EE.UU. "Standard for Compressed Gas Cylinder Valve Outlet and Inlet Connections" (Estándar para Conexiones de Salida y Entrada de Válvula de Tanque de Gas Comprimido), ANSI/CGA-V-1-1977.
- El sistema de suministro del tanque de gas butano debe estar diseñado para la extracción de vapor del tanque debe venir con un cuello para proteger la válvula del tanque.
- El tanque de gas butano que se use debe estar construido y marcado de acuerdo con las especificaciones de tanques de gas del Departamento de Transporte de los EE.UU. o el Estándar Nacional de Canadá CAN/CSA-B339.
- La trampa debe utilizarse en exteriores solamente, en un área con buena ventilación y no debe utilizarse en un edificio, garaje ni en ningún otro lugar cerrado.
- Si se almacena el artefacto en interiores, debe desconectar el tanque de gas butano y retirarlo del artefacto.
- Los tanques de gas butano deben almacenarse en exteriores en un área con buena ventilación y fuera del alcance de los niños.
- Los tanques desconectados deben tener tapones de válvula roscados instalados y no deben almacenarse en un edificio, garaje ni en áreas cerradas.
- Debe utilizarse el regulador de presión y el ensamblaje de manguera suministrados con este artefacto para la conexión del tanque de gas butano. Los reguladores de presión y el ensamblaje de manguera de reemplazo deben ser las que especifica el fabricante.
- Evite el uso inapropiado de cordones de extensión. Mantenga las conexiones alejadas de humedad y evite el daño del cordón.
- Si se daña el cordón de suministro, debe ser reemplazado por el fabricante o su agente de servicio o por una persona calificada similar con el fin de evitar peligros.

Si tiene preguntas, por favor, comuníquese con el Servicio de Atención al Cliente llamando al número:

1-800-953-5737

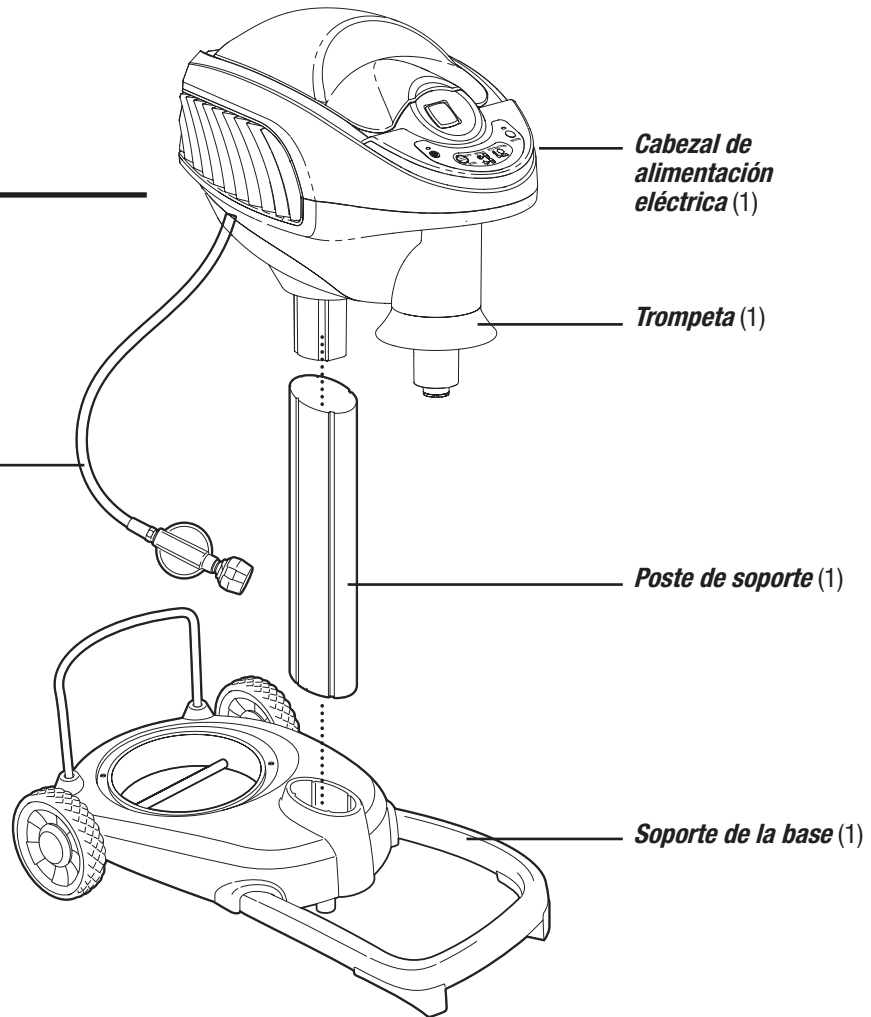
o visite www.mosquitomagnet.com



Partes principales

Artefacto Executive
autónomo

Manguera del
regulador (1)



Cabezal de
alimentación
eléctrica (1)

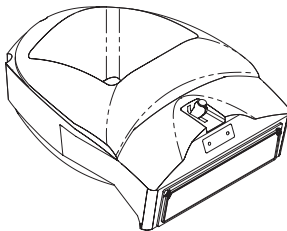
Trompeta (1)

Poste de soporte (1)

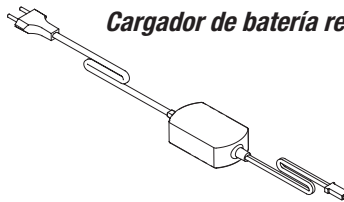
Soporte de la base (1)

Partes incluidas

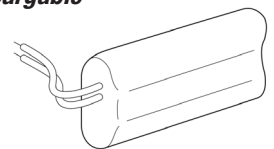
Bolsa para
insectos



Cargador de batería remoto



Batería recargable

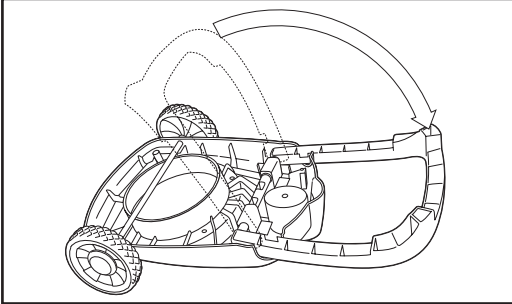


MOSQUITO MAGNET®

Instrucciones de ensamblaje

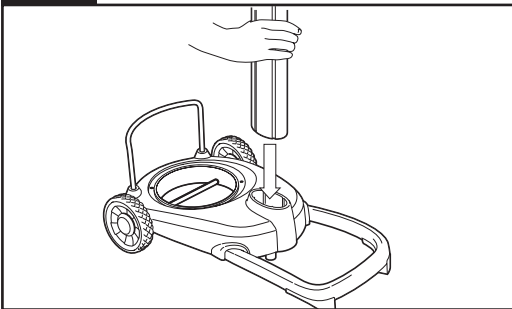
Ensamblaje de la trampa:

Paso 1



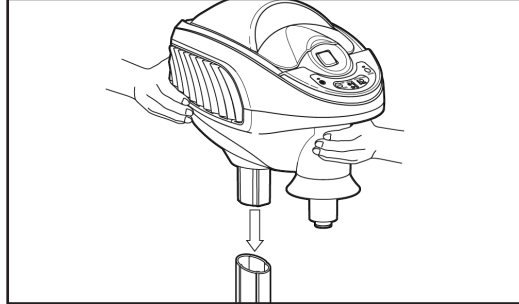
Coloque la base en una posición invertida sobre una superficie plana, despliegue la pata de apoyo en forma de U hasta que encaje en su lugar.

Paso 2



Voltee la base y el ensamblaje de la pata a su posición normal y coloque el poste de soporte dentro de la cavidad de la base.

Paso 3



Coloque el cabezal de alimentación eléctrica a de la trampa en el poste. Presione firmemente hacia abajo con ambas manos hasta que esté asegurado.

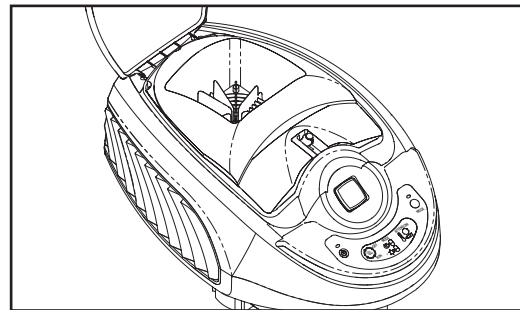
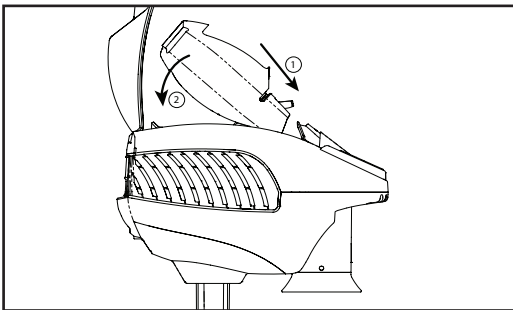
Una vez ensamblada la trampa, la parte frontal del cabezal de alimentación eléctrica/trompeta debe estar lo más lejos posible de las ruedas en la misma dirección que las patas en forma de U de la base.

Paso 4

La batería no viene completamente cargada de la fábrica; cargue la batería antes del primer uso. Si se usa de manera adecuada, una carga durará toda la temporada. Vea la página 6e para obtener más detalles.

Instalación de la bolsa para insectos:

Para insertar la bolsa para insectos, primero enganche la sección frontal/abierta y luego jale suavemente el extremo posterior hacia abajo para colocarla en su lugar.



Instalación

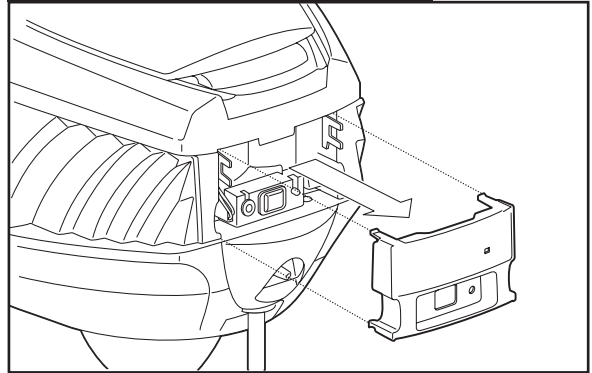
Instrucciones para cargar la batería

1. Retire de la parte trasera de la unidad del cabezal de alimentación eléctrica el panel de la cubierta (el panel se desenchaja). Presione el seguro de la batería y júlela hacia afuera de la trampa para desconectarla. Extraiga la batería jalando hacia arriba desde la parte inferior y girando la batería fuera de su posición.
2. El cargador de la batería no es apto para uso en exteriores. La batería debe cargarse en interiores.
3. Enchufe el cargador de la batería en un tomacorriente de interiores.
4. Conecte la batería recargable al cargador de batería.
5. El indicador LED del cargador de la batería se encenderá de color rojo cuando la batería esté cargándose. Cuando la batería esté totalmente cargada, el indicador LED cambiará a verde. El tiempo de carga típico es menos de dos horas.
6. El cargador de la batería es automático y surtirá una corriente segura de carga de mantenimiento cuando la batería esté totalmente cargada. No sobrecargará la batería. Para lograr la máxima vida útil de la batería, no la deje en el cargador por largos períodos de tiempo.
7. Cuando la batería esté totalmente cargada, desconecte la batería del cargador de batería y vuelva a colocarla en la unidad Mosquito Magnet Executive.
8. Inserte y conecte la batería recargable.
9. Vuelva a colocar el panel de la cubierta en la parte trasera de la unidad del cabezal de alimentación eléctrica.

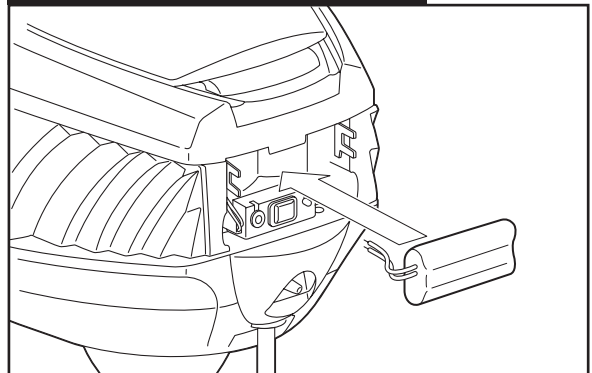
Ubicación de la trampa

1. Determine la dirección del viento predominante. Consulte los patrones del tiempo local si no esta seguro.
2. Párese en el centro del área que intenta proteger y mire en dirección hacia el viento predominante.
3. La ubicación apropiada de la trampa será entre 9 y 12 m en frente de usted, con una cobertura de terreno de entre 1,5 y 1,8 m (es decir, arbustos, cantero de flores, líneas de árboles, pantano). Asegúrese que la trampa no esté ubicada contra objetos de bloqueo como edificios, cercas, etc.
4. Se recomienda ubicar la trampa en la sombra.
5. No coloque la trampa directamente debajo de una fuente de agua (rociadores, manguera, etc.).
6. La trampa debe colocarse sobre un piso plano para evitar que se voltee o que haya una distribución desigual del gas butano.
7. Para lograr una ubicación óptima de la trampa en su patio o jardín, consulte www.mosquitomagnet.com/videos para crear su propio diagrama de patio para una correcta ubicación de la trampa.

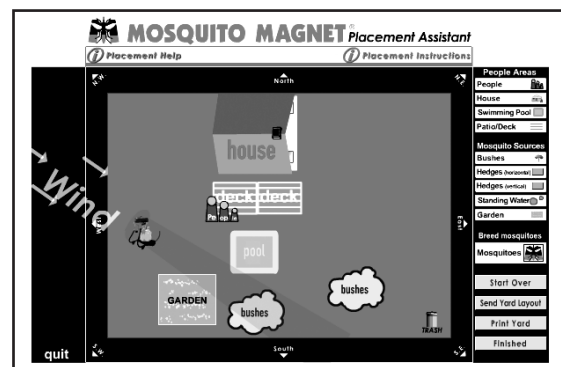
Extraiga el panel posterior



Inserte y conecte la batería



NOTA: Cerciérese de haber colocado el panel de la cubierta; la trampa no será impermeable sin el panel de la cubierta.



MOSQUITO MAGNET®

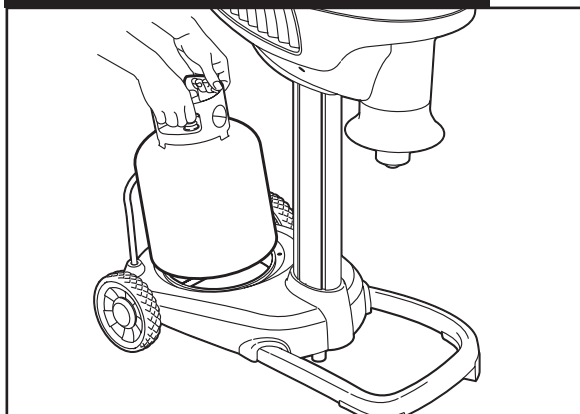
Instalación

Instalación del tanque de butano

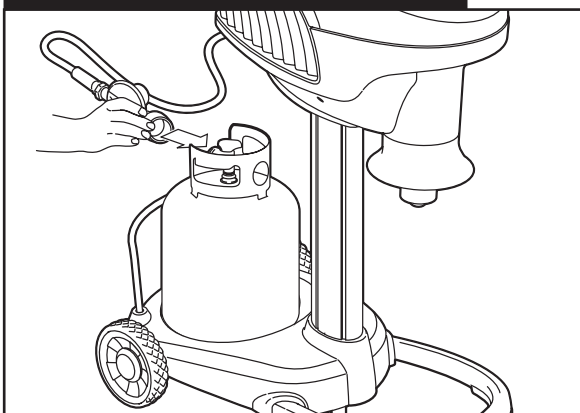
1. Después de colocar la trampa en su ubicación ideal, coloque el tanque de butano en el receptáculo moldeado.
2. Asegúrese que el tanque de butano esté completamente cerrado. Conecte la manguera del regulador de butano al tanque de butano. Asegure firmemente con la mano.
No utilice herramientas.
3. Active el gas butano girando lentamente la válvula en sentido contrario a las manecillas del reloj. Tenga cuidado de no voltear muy rápidamente para evitar que se active la válvula de seguridad.

⚠ ¡NO MUEVA LA TRAMPA CON EL TANQUE INSTALADO!
DEBE DESCONECTAR EL TANQUE DEL REGULADOR ANTES DE REUBICAR LA TRAMPA PARA EVITAR DAÑAR EL REGULADOR Y/O LA TRAMPA. TENGA PRESENTE QUE EL DAÑO CAUSADO POR NO CUMPLIR CON ESTA INSTRUCCION NO ESTÁ CUBIERTO POR LA GARANTIA.

Paso 1 - Ubicacion del tanque de butano



Paso 2 - Colocar el regulador



Paso 3 - Abrir la válvula lentamente



Instrucciones

****LEA EL MANUAL ANTES DE EMPEZAR****

Cargue la batería según las instrucciones descritas en la página 6e. Si se usa de manera adecuada, la batería durará toda la temporada.

Instrucciones de inicio

Se recomienda leer el manual completamente antes de empezar a utilizar la trampa de Mosquito Magnet®.

1. Para encender la trampa, presione y mantenga presionado por tres segundos el botón ON/OFF (encendido/apagado) hasta que se ilumine el indicador LED anaranjado.
2. Aparecerá RUN (funcionando) en la pantalla. También parpadearán la palabra WARM (calentando) y las flechas indicadoras en la pantalla. El indicador LED (arriba del botón ON/OFF) estará de color anaranjado.
3. El ventilador cambiará gradualmente de baja velocidad a alta velocidad después de aproximadamente 3 minutos.
4. En la pantalla parpadeará la palabra WARM y el indicador LED estará de color anaranjado durante aproximadamente 15 a 25 minutos mientras calienta la trampa.
5. Cuando la trampa alcance la temperatura de operación, el indicador LED cambiará a verde y desaparecerá WARM de la pantalla.

Instrucciones de apagado

Para apagar la trampa, presione el botón ON/OFF (encendido/apagado). Aparecerá RUN en la pantalla. Parpadearán también la palabra COOL (enfriamiento) y las flechas indicadoras en la pantalla. El indicador LED estará de color verde. Después de un período de enfriamiento de dos minutos, se detendrá el ventilador. El indicador LED se apagará y la pantalla mostrará OFF (apagado).

Cuando no está en uso

Si la unidad no está en uso, debe desactivar el cilindro de suministro de gas. Puede guardar esta unidad en interiores sólo si desconecta y retira el cilindro. Los cilindros deben guardarse en exteriores, fuera del alcance de los niños. No deben guardarse en un edificio, ni en un garaje u otro lugar cerrado.

Almacenamiento al final de la temporada

Consulte las instrucciones de apagado anteriores antes de cerrar la válvula del tanque de gas butano y desconecte el regulador. También desconecte la batería, pero asegúrese de no retirar la batería de la trampa.

Retire y deseche todo cebo atrayente Mosquito Magnet®. Consulte la etiqueta del cebo atrayente para obtener las instrucciones de desecho. También debe desecharse la bolsa de insectos antes de almacenar la trampa.

ALMACENAMIENTO: La trampa debe almacenarse en interiores en un garaje o cobertizo durante las estaciones que no se usa. Cubra la trompeta para evitar que los insectos hagan nido. Cubra la unidad con la cubierta para trampa disponible en www.mosquitomagnet.com, o con una lona protectora y asegúrela firmemente a la base para evitar el polvo, las telarañas y otros residuos.

Para obtener óptimos resultados deje funcionar la unidad 24 horas al día

- La trampa empezará a cazar inmediatamente logrando una reducción significativa de la población de zancudos y mosquitos en 7 a 10 días. Permita que pasen 4 semanas para reducir significativamente la población de zancudos y mosquitos en su patio o jardín.



- Deje que la trampa se enfríe durante 5 minutos antes de volver a poner en marcha la unidad.
- Nunca rocíe insecticida en la trampa ni alrededor de ésta.
- La trampa puede funcionar bajo lluvia
- Si utiliza compuestos de cal o fertilizantes, asegúrese de apagar primero la trampa para evitar el ingreso de polvo o nebulización fina que pueden atorar la bolsa de insectos.

Advertencia: La instalación, ajuste, alteración, servicio o mantenimiento inadecuados pueden causar lesiones personales o daños materiales. Lea las instrucciones de instalación, operación y mantenimiento cuidadosamente antes de instalar o dar mantenimiento a este equipo.

Precaución: Debe utilizar el regulador de presión de gas que viene con este aparato. Este regulador está fijado para una presión de salida de 11.0 pulg. (28) de columna de agua.

Cuando este aparato no esté en uso, debe apagar el suministro de gas en el cilindro de suministro de gas butano.

Líder en soporte técnico al cliente 360°

- Línea directa de atención al Cliente: 1-800-953-5737
- Registro de productos en línea
- Visite www.mosquitomagnet.com para obtener consejos para la resolución de problemas e información sobre la ubicación de la trampa
- Centros de Servicio Local - información disponible en www.mosquitomagnet.com



MOSQUITO MAGNET®

Tecnología Inteligente

Comó establecer los modos de ahorro de combustible

La trampa tiene la opción de funcionar 24 horas al día, 7 días a la semana, o en uno de 4 modos de ahorro de combustible que pueden extender la duración de su tanque de gas butano. El tanque de gas butano durará 21 días si la trampa se usa 24 horas al día, 7 días a la semana, que es lo recomendado par realizar una caza óptima de insectos. Consulte la siguiente tabla para obtener el consumo de gas butano correspondiente de acuerdo con el modo de operación.

Operación con ahorro de energía	Duración del tanque*	Apagado durante el día	Apagado durante la noche
Modo 1	22 días	1 hora	1 hora
Modo 2	24 días	2 horas	2 horas
Modo 3	27 días	3 horas	3 horas
Modo 4	30 días	4 horas	4 horas

* Basado en un tanque de gas butano de 20 lb. (9,07 kg.)

El modo de operación con ahorro de energía detendrá el uso del gas butano a mitad del día y durante la mitad de la noche. La investigación ha mostrado que la actividad de las mosquitos generalmente es más baja durante estos períodos de tiempo.

NOTA: El sistema de "tecnología inteligente" aprende automáticamente las ciclos del día y de la noche en un período de 24 horas mientras está en el modo de ahorro de combustible. Este sistema utiliza un sensor fotoeléctrico que permite a la trampa aprender y ajustar los períodos de desactivación en base a los cambios en las horas de amanecer y atardecer a medida que cambian las estaciones.

Modos de ahorro de combustible

1. Presione el botón MODE (modo) para seleccionar el ajuste del modo de ahorro de gas.

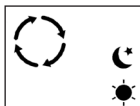


2. Cada vez que se presiona el botón MODE, el modo alterna entre los modos 1, 2, 3, 4, apagado, 1, etc.



3. El Modo 1 desactivará la trampa 1 hora a mitad del día y 1 hora a mitad de la noche. Los modos 2, 3, y 4 horas de desactivación respectivamente.

4. Para indicar que la trampa está en el modo de ahorro de combustible, parpadearán las flechas y se apagará la luz LED verde. Adicionalmente, el elemento Sol parpadeará durante el día y el elemento Luna parpadeara durante la noche cuando la trampa esté en el modo de ahorro de combustible. El ventilador continuará funcionando en la trampa, a una velocidad reducida, para evitar que se escapen los zancudos, pero no capturará insectos adicionales durante este período de tiempo.



5. Si la trampa se establece en el modo de ahorro de energía, la batería debe desconectarse y luego reconectarse cada vez que se vuelva a llenar el tanque de gas butano. Es necesario desconectar la batería para restablecer el temporizador de ahorro de energía.



Desactivación por temperatura fría

La trampa tiene un sensor de temperatura que se puede utilizar para poner automáticamente la trampa en un modo de espera cuando la temperatura del aire exterior y la temperatura de la trampa son tanto por debajo de un punto de ajuste seleccionable por el usuario. La investigación ha demostrado que hay muy poca actividad de los mosquitos cuando la temperatura cae por debajo 50°F (10°C). Sin embargo, en algunos lugares y con algunas especies de mosquitos, la actividad puede continuar a temperaturas inferiores a 50°F (10°C). La trampa tiene un seleccionable por el usuario frío punto de partida de apagado temperatura a 50°F (10°C) e incrementando abajo en incrementos de 5°F (2,8°C) a una temperatura mínima de 30°F (-1 °C). La configuración predeterminada en la trampa es no shutdown temperatura fría.

Para acceder a los parámetros de apagado del frío, mantenga presionado el botón Mode durante al menos 3 segundos hasta que aparezca el menú de apagado frío. Alternar entre las opciones de temperatura pulsando el botón de modo, a partir de apagado (en blanco) y luego a 30, 35, 40, 45 y 50 (°F). Continuando para alternar el botón Modo después de los 50 volverá a Off (en blanco) y luego repetir el ciclo. Una vez que una selección de temperatura se ha hecho, deje de pulsar el botón Mode; espere unos 3 segundos; y su elección de temperatura se guardará automáticamente.

Si la trampa está en marcha (la palabra RUN es visible y la luz LED verde está encendido), y un valor de apagado temperatura fría ha sido seleccionado, la trampa se apagará cuando la temperatura del aire y la temperatura de la trampa ha caído por debajo de ese punto de ajuste. Cuando la trampa está en el modo de apagado frío de la palabra sobre el EPO y el icono del termómetro parpadea. La trampa se reiniciará cuando el sensor de temperatura indica que la temperatura del aire y la temperatura de la trampa son aproximadamente 5°F (2,8°C) por encima del valor de parada fría temperatura seleccionada. Si la trampa esta en el modo de calentamiento cuando la temperatura cae por debajo del punto de ajuste seleccionado se apagará, pero no se reiniciará automáticamente.



Advertencia sobre batería baja

El icono de batería y la palabra ATTENTION (Atención) parpadearan si necesita, recargarse la batería.

Bloqueo de seguridad para los niños

El botón ON/OFF (encendido/apagado) debe presionarse durante 3 segundos para encender la trampa.



Mantenimiento

Mantenimiento

Si está usando uno de nuestros modos de ahorro de combustible, asegúrese de ajustar las fechas indicadas en la siguiente tabla (vea la tabla en la página 13i para coordinar el programa de mantenimiento con el modo de operación).

- ***Ciclo de mantenimiento de 21 días - para un rendimiento óptimo***
 - Recargue el gas butano. (El butano dura aproximadamente 21 días con un funcionamiento de 24 horas durante 7 días.)
 - Cambie el cartucho de cebo atrayente de corto alcance. Consulte la etiqueta del cebo atrayente Mosquito Magnet® para obtener instrucciones.
 - Vacíe o cambie la bolsa de insectos.
- Periodicamente limpie el exterior de la trampa con un trapo limpio y húmedo.
- Cargue la batería durante 24 horas al comienzo de la temporada.

Consejos para cambiar el tanque de butano





Al conectar la perilla del regulador a un tanque después de un cambio de tanque, asegúrese de ajustar completamente la perilla del regulador al tanque. No necesita utilizar herramientas, pero asegúrese de girar la perilla todo lo posible a mano. Después de hacer esto, afloje la perilla 1/4 de vuelta, luego vuelva a ajustar para lograr el sello máxima.

El propósito de esto es enganchar el regulador completamente al tanque. Si el regulador no está completamente enganchado, puede restringirse el flujo de gas al punto en que la trampa indicará el código de falta de gas. Si esto ocurre, presione el botón OFF (apagado), cierre la válvula del tanque, y retire el regulador del tanque. Vuelva a colocar el regulador e intente nuevamente.



MOSQUITO MAGNET®

Solución de problemas

Problema	Causa probable	Soluciones
<p>La unidad no arranca La unidad no continúa funcionando</p> <p>LCD </p> <p>LED - El indicador LED rojo parpadea a intervalos de 7 segundos</p>	<ol style="list-style-type: none"> 1. El tanque de gas butano puede estar vacío. 2. Si el tanque de gas butano es nuevo y se ha llenado recientemente, debe purgarse. 3. Una conexión puede estar floja. 4. La línea de combustible puede estar bloqueada por contaminantes del gas butano. 5. El regulador no está completamente enganchado. 6. La bolsa de insectos puede estar llena u obstruida. 	<ol style="list-style-type: none"> 1. Pese el tanque y compárelo con el peso del tanque "vacío". 2. Lleve el tanque al centro de llenado. Es posible que haya aire en la línea de combustible. Solicite que se purgue el tanque. 3. Verifique todas las conexiones. Asegúrese de que la válvula del tanque de gas butano esté completamente abierta. 4. Reemplace la bolsa para insectos.
<p>La unidad no continúa funcionando</p> <p>LCD </p> <p>LED - Parpadea de color rojo/anaranjado a intervalos de 7 segundos</p>	<ol style="list-style-type: none"> 1. Baja voltaje de la batería. 	<ol style="list-style-type: none"> 1. Cargue la batería antes de usar la unidad por primera vez y al comienzo de cada temporada. El indicador LED del cargador se encenderá de color verde cuando la batería esté totalmente cargada. 2. Revise la conexión de la batería; asegúrese de que este totalmente insertada y enganchada. 3. Si una batería totalmente cargada indica bajo voltaje de la batería durante el ciclo, recargue o reemplace la batería.
<p>La unidad se apaga</p> <p>LCD </p> <p>LED - Parpadea de color rojo/verde a intervalos de 7 segundos</p>	<ol style="list-style-type: none"> 1. Alta temperatura. 	<ol style="list-style-type: none"> 1. Apague la trampa y deje que se enfríe durante una hora, luego vuelva a encenderla. Si el código persiste, llame al Servicio de Atención al Cliente al: 1-800-953-5737.
<p>La unidad se apaga</p> <p>LCD </p> <p>LED - Parpadeo doble del indicador LED rojo a intervalos de 7 segundos</p>	<ol style="list-style-type: none"> 1. Fallo del termistor. 	<ol style="list-style-type: none"> 1. Comuníquese con el Servicio de Atención al Cliente llamando al: 1-800-953-5737.
<p>La unidad se apaga LED - Rojo fijo</p>	<ol style="list-style-type: none"> 1. Fallo eléctrico 	<ol style="list-style-type: none"> 1. Comuníquese con el Servicio de Atención al Cliente llamando al: 1-800-953-5737.
<p>Ninguna caza o bajo nivel de caza</p>	<ol style="list-style-type: none"> 1. Es posible que todavía no hayan salido los insectos. 2. Problema con la ubicación de la trampa. 3. No se han interrumpido aún los ciclos reproductivos de los insectos que pican. 4. La tecnología de flujo inverso "Counterflow" puede estar interrumpida. 	<ol style="list-style-type: none"> 1. Verifique que la temperatura esté constantemente sobre el nivel de 50°F (10°C). 2. Siga los pasos descritos en la sección "Ubicación de la trampa" del manual del propietario. 3. Mantenga la trampa en operación constante 24 horas al día, 7 días a la semana durante por lo menos 4 semanas para reducir la población de mosquitos. 4. El flujo de aire puede estar restringido. Comuníquese con su proveedor de servicio local.



PT

Manual de operação



MOSQUITO MAGNET®

Conteúdo

Dispositivo de corte por baixa temperatura	P3
Bem-vindo(a)	P4
Instruções de segurança	P5-6
Peças principais	P7
Instruções de montagem	P8
<i>Montagem da armadilha</i>	
<i>Instalação da rede de captura de insetos</i>	
Instalação	P9-10
Carregar e colocar a bateria	
Posicionamento da armadilha	
Instalação da botija de gás	
Instruções	P11-12
Instruções para inicializar	
Instruções para desligar	
Quando não estiver em uso	
Armazenagem no fim da estação	
Para melhores resultados	
Tecnologia inteligente	P13
<i>Como programar os modos para a economia de combustível</i>	
<i>Modos para a economia de combustível</i>	
<i>Desligamento por temperatura baixa</i>	
<i>Aviso de bateria fraca</i>	
<i>Bloqueio de segurança para crianças</i>	
Manutenção	P14
<i>Manutenção</i>	
<i>Dicas para a troca da botija de gás</i>	
<i>Esquema de manutenção</i>	
Resolução de problemas	P15
<i>Códigos de falhas de LED</i>	

Perguntas ou Comentários

Woodstream™ Corporation
69 North Locust Street
Lititz, PA 17543
E.U.A.

Modelo Nº :	Executive
Série Nº:	
Tipo de gás:	Butano
Distribuidor de pressão:	100 -110 psi (6,90 -7,58 bar)
Gás - Pressão Mínima de Fornecimento:	28 cm de pressão da coluna de água (27 mbar)
Capacidade nominal:	759 Btu/ h
Folgas mínimas:	50-60 cm



Tecnologia Counterflow™ patenteada

Como o Mosquito Magnet® funciona

Mosquitos e outros insectos que picam usam sensores de longa distância para detectarem o atractivo dióxido de carbono (CO2) para localizarem as pessoas ou animais. Quando se encontram nas proximidades, os mosquitos usam sensores de curta distância para detectar as feromonas e essências libertadas pela nossa pele para determinarem qual a pessoa que vão picar. O aparelho Mosquito Magnet imita o ser humano usando a sua tecnologia inovadora recorrendo a um conversor catalítico patenteado convertendo o gás butano em CO2 e em combinação com os atractivos de curta distância.

Atraídos pelo CO2 e pelos atractivos de curta distância os mosquitos e outros insectos que picam são atraídos até ao aparelho Mosquito Magnet. Chegando à armadilha, os insectos são sugados/aspirados para a rede da armadilha usando a nossa tecnologia patenteada Counterflow Technology™ onde desidratam e morrem dentro do prazo de 24 horas.

O aparelho Mosquito Magnet é silencioso, inodoro e trabalha 24/7. Quando devidamente posicionada no seu jardim o funcionamento e trabalho da armadilha começa de imediato. Resultados notáveis podem ser conseguidos entre 7 a 10 dias. Para uma significativa redução da população dos insectos aconselha-se um mínimo de 4 semanas. Deixe o seu aparelho Mosquito Magnet no seu jardim todo o verão, para controlar e dizimar a população de mosquitos no seu jardim.

Só insectos que picam é que são o alvo de captura, dos quais incluem os mosquitos, mosca da areia, mosca negra (Simuliidae ou borrachudos) entre outros insectos. Insectos benéficos como borboletas, abelhas, etc. não são alvos de captura



MOSQUITO MAGNET®

Dispositivo de corte por baixa temperatura

A armadilha tem um sensor de temperatura que pode ser usado para pôr automaticamente a armadilha em modo de espera quando a temperatura do ar exterior e a temperatura da armadilha estiverem ambas abaixo de um ponto de regulação que pode ser **programado pelo utilizador**. Estudos demonstram que há pouca actividade de mosquitos quando a temperatura do ar desce abaixo de 10°C (50°F). No entanto, em certos locais e para certas espécies de mosquitos, a actividade poderá continuar a temperaturas abaixo de 10°C (50°F). A armadilha tem um ponto de regulação de baixa temperatura que pode ser **programado pelo utilizador** começando a 10°C (50°F) e descendo por incrementos de 2,8°C (5°F) até a uma temperatura mínima de -1°C (30°F). **A configuração pré-definida da armadilha é não haver corte por baixa temperatura.**

Para ter acesso aos parâmetros do Corte por Baixa Temperatura, prima e mantenha premido o botão de Modo durante pelo menos 3 segundos até que apareça o menu de Corte por Baixa Temperatura. Avance através das várias opções de temperatura, pressionando o botão de Modo, começando por Off/Desligado (em branco) e depois -1, 1,7, 4,4, 7,2 e 10°C (30, 35, 40, 45 e 50°F). Continuando a premir o botão de Modo para além de 10°C (50°F) fará regressar a Off/Desligado (em branco) e depois repete o ciclo. Uma vez que se tenha feito uma escolha de temperatura, pare de premir o botão de Modo; espere aproximadamente 3 segundos; e a sua seleção de temperatura será automaticamente guardada em memória.

Se a armadilha estiver a funcionar (a palavra RUN/FUNCIÓNAR estará visível e a luz LED verde estará acesa), e tiver sido escolhido um valor de temperatura para o corte, a armadilha irá parar/desligar quando a temperatura do ar e a temperatura da armadilha descerem abaixo desse ponto. Quando a armadilha estiver no Modo de Corte por Baixa Temperatura a palavra COOL/FRIO e o ícone de Termómetro irão piscar. A armadilha recomeçará a funcionar quando o sensor de temperatura indicar que a temperatura do ar e a temperatura da armadilha estiverem **aproximadamente 2,8°C (5°F) acima do valor seleccionado para o corte por baixa temperatura.**

Se a armadilha estiver em modo de arranque/aquecimento quando a temperatura baixar abaixo do ponto de regulação seleccionado, o aparelho irá desligar/parar, **mas não reiniciará o funcionamento automaticamente.**

Woodstream™ Corporation
69 North Locust Street
Lititz, PA 17543
E.U.A.
www.mosquitomagnet.com



MOSQUITO MAGNET®

Bem-vindo(a)

Parabéns pela sua preferência na aquisição do aparelho Mosquito Magnet®. Agora você pode começar a aproveitar novamente a vida ao ar livre.

Mosquito Magnet é a armadilha nº 1 para mosquitos na América do Norte. Com o 18 anos de investigação e testes independentes, está cientificamente comprovado que o Mosquito Magnet reduz, com eficácia, do seu quintal, mosquitos e outros insetos que picam.

O Mosquito Magnet é fácil de se usar. Neste manual, você vai aprender tudo que precisa saber - como ele funciona, o melhor posicionamento para a armadilha, manutenção, armazenagem e informações sobre a garantia. O segredo do sucesso é o posicionamento da armadilha, a utilização de cartuchos de R-Octenol ou Mosquito Magnet® Pod (dependendo da sua região) e a manutenção de rotina. Para um grau ideal de captura, você vai precisar trocar a botija de gás e de R-Octenol ou Mosquito Magnet® Pod a cada 25 dias aproximadamente.

Visite-nos on line no site www.mosquitomagnet.com ou www.mosquitomagnet.pt para mais informações referentes a dicas e testemunhos sobre o Mosquito Magnet.

Woodstream™ Corporation

69 North Locust Street

Lititz, PA 17543

E.U.A.

www.mosquitomagnet.com

Patentes:

US & Canada

US Patents: Nos. 5,813,166; 6,655,080; 6,662,489; 6,817,140; 6,840,005; 6,848,466; 6,892,492; 7,074,830; 7,181,885; 7,281,351; 7,293,387; 7,536,824; 7,614,180; 7,910,091; 7,987,631; 8,006,432; 8,067,469; 8,141,291; 8,347,549; 8,470,881; 8,753,110; 8,973,299; 9,949,471

Canada Patents: Nos. 2322038; 2460876; 2558775; 2569737; 266346

All Other Countries

Australia: 735984; 2002356537; 2005226680; 2005251813; 2007258277; 2008246208; 2012202864 Brazil: 9908104-0; PI0213059-9; PI0508967-0
China: ZL0281957.X; ZL20058000881.0; ZL200580025316.5; ZL200580046646.2; ZL200780029874.8; ZL200910254151.9

Denmark: 1432304

Europe: 1049373; 1432304; 1537780; 1827093; EP1725094B; EP1765068B

Finland: 1432304; 1827093; EP1725094B

France: 1049373; 1432304; 1537780; 1765068; 1827093; EP1725094B

Germany: 1049373; 1725094; 60211538.8

Hong Kong: HK1107743; HK1112810; HK1148207 Italy: 1049373;

1432304; 1537780; 1725094; 1765068; 1827093

Japan: 4317748; 4741578; 5444525

Mexico: 314022

New Zealand: 506403; 542745

Portugal: 1765068

Sweden: 1432304; 1537780; 1765068; 1827093; EP1725094B

United Kingdom: 1049373; 1432304; 1537780; 1725094; 1765068; 1827093

PARA A SUA SEGURANÇA

Se você sentir cheiro de gás:

1. *Desligue a conexão do gás ao aparelho.*
2. *Apague qualquer chama descoberta.*
3. *Abra a tampa.*
4. *Se o cheiro persistir, ligue imediatamente para o seu fornecedor de gás ou para os bombeiros.*

PARA A SUA SEGURANÇA

1. *Não guarde ou use gasolina ou outros vapores ou líquidos inflamáveis perto deste ou de qualquer outro a aparelho.*
2. *Qualquer botija de gás que não esteja conectada e em uso não deverá ser guardada perto de este ou de qualquer outro aparelho.*



MOSQUITO MAGNET®

Instruções de segurança

Por favor, leia e siga todas as instruções de segurança e advertências.

Crianças e adultos devem ser alertados para os perigos de superfícies quentes e devem manter uma distância segura para evitar queimaduras ou ignição do vestuário.

Crianças pequenas devem ser atentamente supervisionadas quando se encontrarem perto do aparelho. Manter afastado de crianças.

Vestuário ou outros materiais inflamáveis não devem ser pendurados, colocados em cima ou perto do aparelho.

Nota: Algumas ou todas as seguintes instruções de segurança requeridas para aparelhos alimentados por gás podem se aplicar à sua armadilha.

Deixe a armadilha arrefecer 5 minutos antes de a voltar a ligar.

⚠ Aviso: A imprópria instalação, modificação, alteração, serviço ou manutenção pode causar ferimentos ou danos materiais. Por favor ler todas as instruções de instalação, operação e manutenção antes da instalação ou manutenção da armadilha.

⚠ Atenção: O regulador de gás fornecido com este aparelho tem de ser o usado. Este regulador fornecido regula o gás para um correcto fornecimento de pressão de gás. A pressão mínima do fornecimento de gás do regulador é de uma pressão de 28cm de coluna de água (27mbar)

- Esta unidade não se destina a ser instalada em veículos recreativos e/ou barcos.
- A botija de gás deve ser desconectado quando o aparelho não estiver em uso.
- A instalação deve ser feita de acordo com as códigos locais.
- Para testar se existe uma fuga de gás, coloque água com sabão em volta do conjunto do bocal da botija, regulador e mangueira de gás. Se surgirem bolhas de sabão, há uma fuga de gás.
- Inspeccione a mangueira antes de cada uso do aparelho. Se houver abrasão excessiva ou desgaste evidente, ou se a mangueira estiver cortada, ela deve ser substituída antes do aparelho ser ligado. A mangueira de substituição deve ser aquela especificada pelo fabricante.
- A armadilha está equipada com um piloto de ignição. Falha no seguimento dos procedimentos de arranque/iniciação do aparelho irá pôr em causa o bom funcionamento da armadilha.
- Substituição de peças e reparações devem ser feitos por um técnico qualificado (localize as centros de assistência técnica no site www.mosquitomagnet.com). O aquecedor deve se inspecionado antes do uso e, no mínimo, anualmente, por uma pessoa qualificada. Pode ser necessário uma limpeza mais aprofundada e frequente. É fundamental que o compartimento da unidade de controlo, queimadores e as passagens de entrada e circulação de ar em volta do aquecedor sejam mantidas limpas.



MOSQUITO MAGNET®

Instruções de segurança

- Mantenha as folgas adequadas de 50-60 cm em voltadas aberturas de ar da câmara de combustão, de material combustível, das condições de acesso e fornecimento de ar para combustão e ventilação. Mantenha a área da armadilha limpa e livre de materiais combustíveis, gasolina e outros vapores e líquidos inflamáveis. O aparelho não pode ser usado em locais onde exista a possibilidade de vapores inflamáveis ou pó explosivo.
- Não obstrua o fluxo do ar de combustão e ventilação.
- Mantenha as aberturas de ventilação do conjunto do cilindro livre de detritos.
- Limpe a armadilha com um pano húmido de água, se necessário.
- A armadilha deve ser usada unicamente no exterior ao ar livre, em espaços bem ventilados, e não deve ser usada em prédios, garagens, ou em qualquer outra área fechada.
- A botija de gás deve ser desconectada e removida do aparelho se o aparelho for armazenado num ambiente fechado.
- As botijas de gás devem ser armazenadas numa área bem ventilada, ao ar livre, fora do alcance de crianças.
- Botijas de gás usadas com ou sem gás não devem ser armazenadas em prédios, garagens, ou em qualquer outra área fechada.
- O regulador de gás e mangueira fornecido com este aparelho deve ser usado para a conexão da botija de gás. A reposição dos conjuntos de regulador de gás e mangueira deve ser especificada pelo fabricante.
- Não armazene o aparelho perto de calor ou fogo, ou onde a temperatura possa exceder 60°C.
- Conjunto de regulador PPG e mangueira Classe A
- Pressão de trabalho especificada: 2,74 kPa
Pressão de saída: 2,50 kPa a 3,5 kPa
Velocidade: 0,84 m/s-1,40 m/s

Visite o site www.mosquitomagnet.com

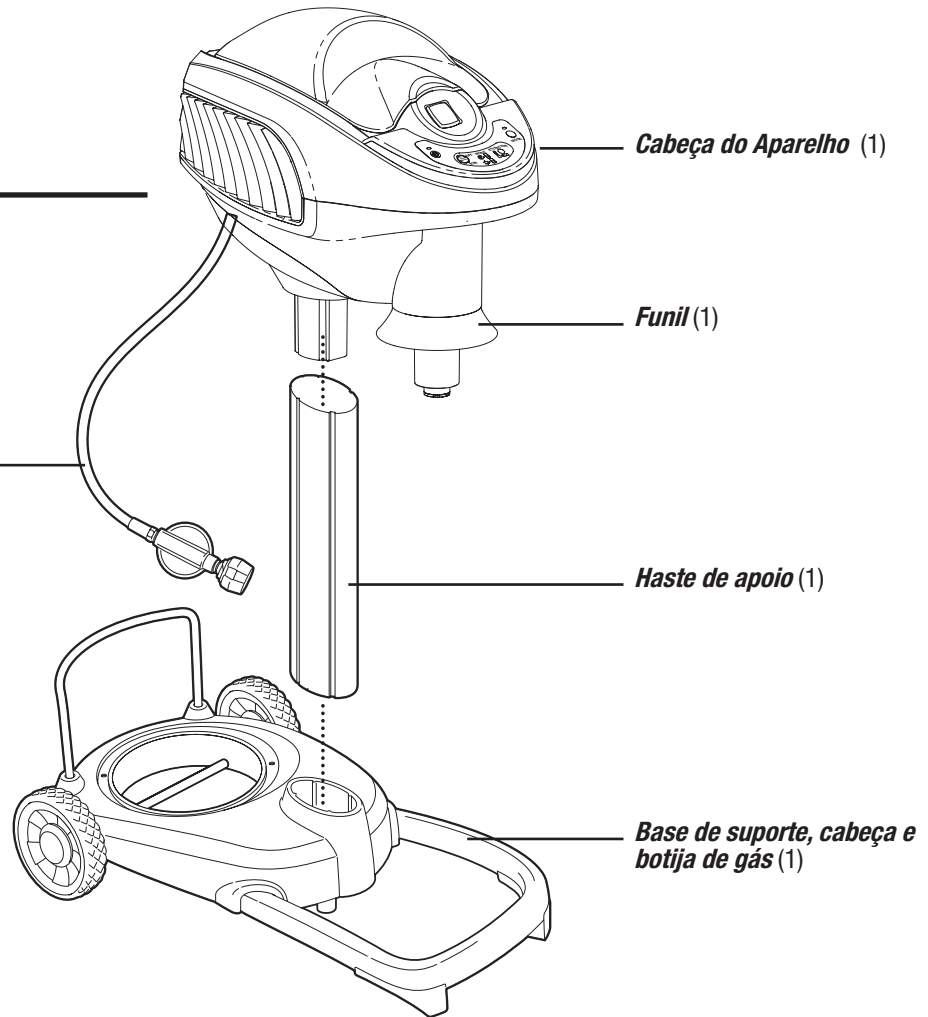


MOSQUITO MAGNET®

Peças principais

Executive
autônomo

Mangueira do
regulador (1)



Cabeça do Aparelho (1)

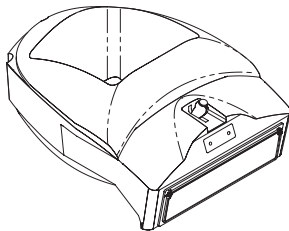
Funil (1)

Haste de apoio (1)

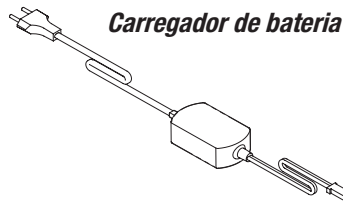
Base de suporte, cabeça e
botija de gás (1)

Peças incluídas

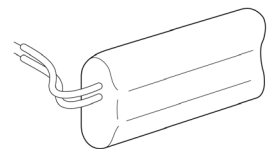
Rede de captura de insectos



Carregador de bateria



Bateria recarregável

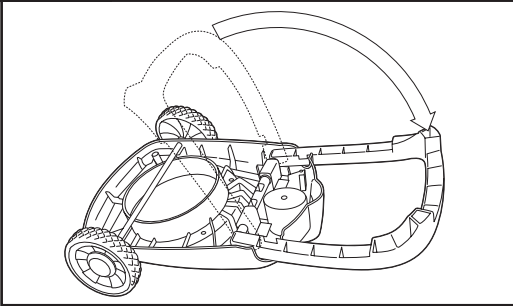


MOSQUITO MAGNET®

Instruções de montagem

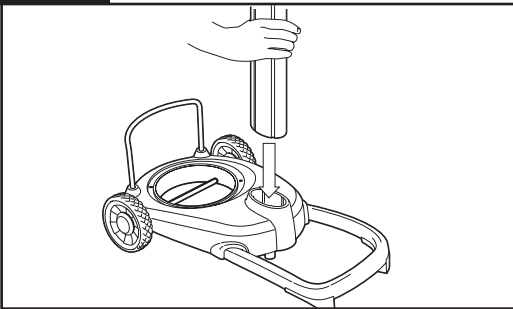
Montagem da armadilha:

Passo 1



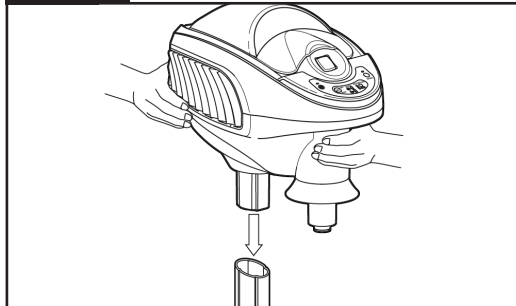
Coloque a base invertida em uma superfície plana, desdobre a perna de apoio em forma de U até que ela trave no lugar certo.

Passo 2



Vire o conjunto da base e da perna para cima e coloque a haste de apoio na cavidade da base.

Passo 3



Coloque a cabeça do aparelho na haste. Pressione firmemente para baixo com ambas as mãos para fixar.

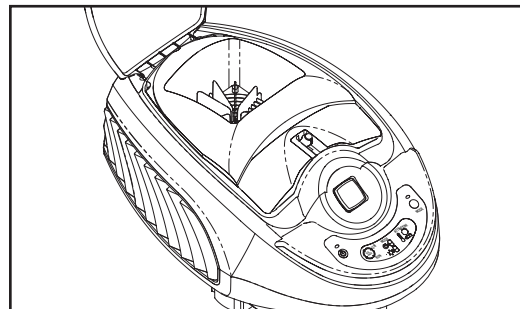
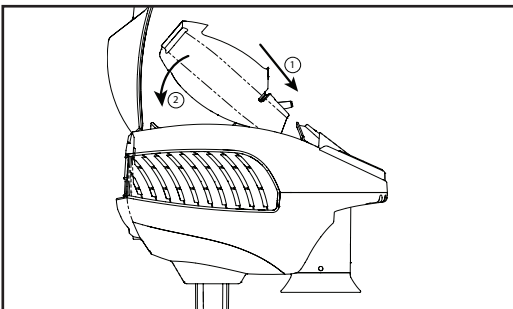
A armadilha montada deve ter a frente da cabeça do aparelho/funil localizada o mais distante das rodas, na mesma direção da perna em forma de U da base.

Passo 4

A bateria não vem totalmente carregada da fábrica; carregue a bateria antes de usar pela primeira vez. Usando apropriadamente, uma carga dura a época toda. Veja a página 7p para mais detalhes.

Instalação da Rede de Captura de Insectos:

Para inserir a rede de captura de insectos, primeiro coloque a parte da frente da abertura da rede dentro do compartimento da cabeça e depois, gentilmente, empurre a parte de trás para baixo, encaixando no lugar certo.



Instalação

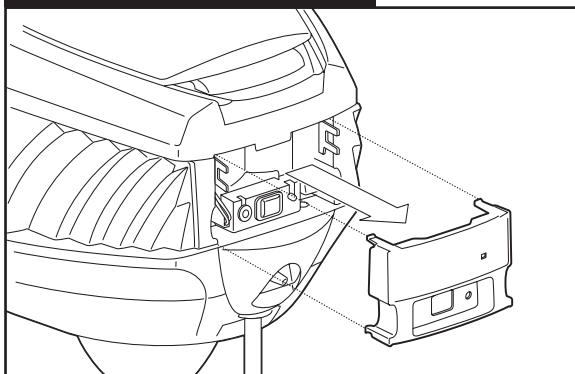
Como Carregar e Instalar a Bateria

1. Remova a tampa da parte de trás da cabeça do aparelho (a tampa desencaixa). Retire a bateria puxando-a para cima pela parte inferior e girando em seguida desconecte a ficha da bateria.
2. O carregador de bateria não é qualificado para uso externo. A bateria deve ser carregada em casa ou ao abrigo dos elementos.
3. Ligue o carregador de bateria numa tomada adequada.
4. Ligue a bateria recarregável ao carregador de bateria.
5. A luz de LED no carregador de bateria estará vermelha quando a bateria estiver a carregar. Quando a bateria estiver totalmente carregada, a luz de LED estará verde. O tempo típico de carga é menos de duas horas.
6. O carregador de bateria é automático. Desligará e manterá uma corrente de carga de manutenção segura quando a bateria estiver totalmente carregada. Não fará sobrecarga da bateria. Para duração máxima, não deixe a bateria no carregador por longos períodos.
7. Quando a bateria estiver totalmente carregada, desligue a bateria do carregador de bateria e recoloque-a no Mosquito Magnet Executive.
8. Insira e conecte a bateria recarregável.
9. Recoloque a tampa na parte de trás da cabeça do aparelho.

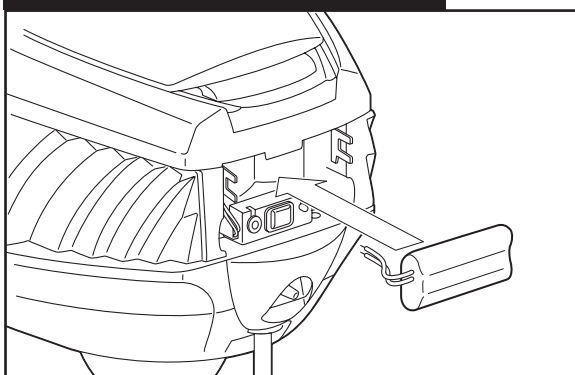
Posicionamento da armadilha

1. Determine a direção do vento prevalecente. Verifique os padrões locais do tempo, se estiver em dúvida.
2. Fique no centro da area que você pretende proteger e olhe na direção do vento prevalecente.
3. O posicionamento correto da armadilha será 10 metros á sua frente, dentro de uma área de 1,5 metros da cobertura vegetal (ex: arbustos, canteiros de flares, fileira de árvores, vegetação). Certifique-se de que a armadilha não está diretamente posicionada contra qualquer tipo de bloqueio, tal como construções, cercas, etc.
4. Recomenda-se que a armadilha seja posicionada na sombra.
5. Não coloque a armadilha diretamente sobre uma fonte de água (aspersores, mangueiras, etc.).
6. A armadilha deve ser colocada de forma nivelada para evitar que tombe e para que a distribuição do butano seja uniforme.
7. Para o posicionamento ideal da armadilha no seu quintal, visite o site www.mosquitomagnet.com para criar o diagrama do seu próprio quintal para o posicionamento correto da armadilha.

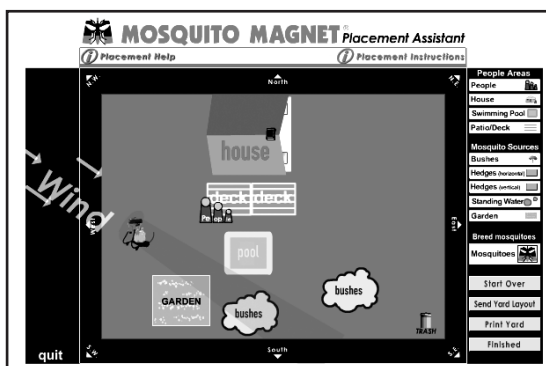
Remova a tampa da parte de trás



Insira e conecte a bateria



NOTA: Certifique-se de que a tampa esteja recolocada; a armadilha não é à prova de intempéries com a tampa removida.



MOSQUITO MAGNET®

Instalação

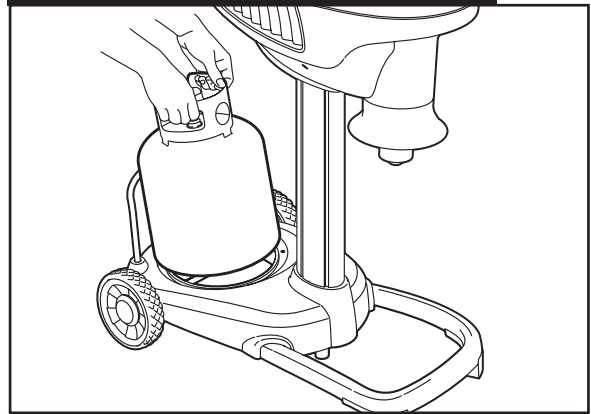
Instalação da Botija de Gás

1. Após a armadilha ser colocada no seu local ideal, coloque a botija de gás na base.
2. Certifique que o O-ring de borracha na botija de gás encontra-se em boas condições, certifique que a válvula do regulador está fechada, conecte o regulador do gás à botija e certifique que o regulador está bem fixo. **Não use ferramentas.**
3. Abra a válvula do regulador de gás.

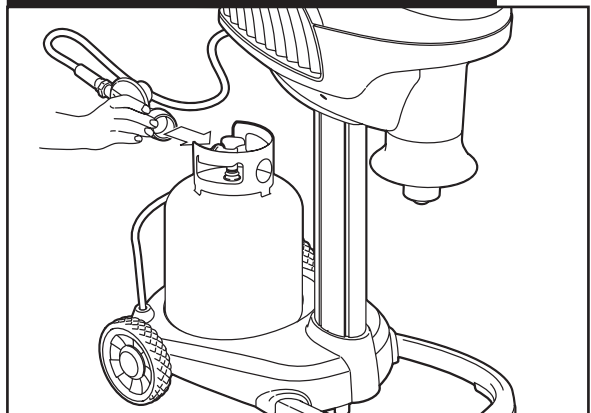
⚠ NÃO MOVA A ARMADILHA QUANDO A BOTIJA ESTIVER CONECTADA!

A BOTIJA TEM DE SER DESCONECTADA DO REGULADOR E REMOVIDA DA ARMADILHA ANTES DA ARMADILHA PODER SER MOVIMENTADA PARA EVITAR DANOS NO REGULADOR E/OU À ARMADILHA. ESTEJA CIENTE DE QUE DANOS CAUSADOS PELO NÃO CUMPRIMENTO DESTA INSTRUÇÃO NÃO ESTÃO COBERTOS PELA GARANTIA.

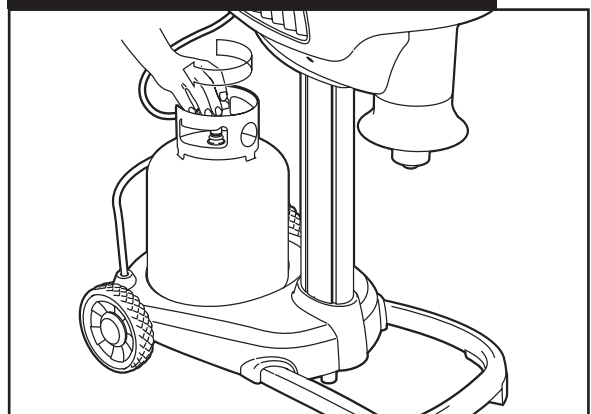
Passo 1 - Colocação da Botija de Gás



Passo 2 - Conecte o Regulador do Gás



Passo 3 - Abra a Válvula do Regulador



Instalação

Instalação da Botija de Gás

- Quando posicionar a armadilha na localização pretendida coloque a botija de gás em posição na base da armadilha.
- Inspeccione e verifique o o-ring vedante de borracha que se encontra no bocal da botija de gás que se encontra em boas condições. Este procedimento deverá ser sempre efetuado quando conectar o regulador em todas as trocas de botija.

1. Certifique que o regulador se encontra fechado na posição OFF. (Símbolo de chama vermelha para baixo)
2. Puxe o anel preto de plástico para cima e coloque o regulador no bocal da botija.
3. Empurre o anel preto de plástico para baixo com os polegares para fixar o regulador ao bocal. Não é necessário o uso de ferramentas.
4. Certifique que o regulador está bem fixo puxando o regulador para cima.
5. Abra a válvula do regulador, colocando a válvula com o símbolo de chama vermelha para cima.
6. Para retirar o regulador, feche a válvula do regulador e puxe o anel preto de plástico para cima e em seguida o regulador.

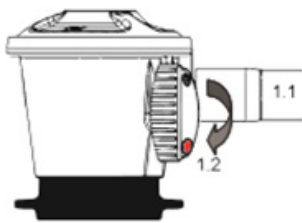


ATENÇÃO: Não movimente a armadilha com a botija instalada!

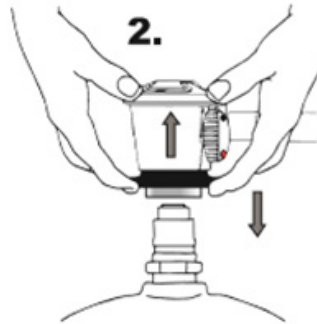
Para evitar danos na armadilha, regulador e na mangueira de gás retire a botija de gás da armadilha antes de movimentar/deslocar a armadilha.

AVISO: Ao abrigo da garantia, é excluída qualquer responsabilidade por defeitos ou danos causados pelo mau uso, instalação, manutenção defeituosa ou em incumprimento das instruções constantes neste manual.

1.



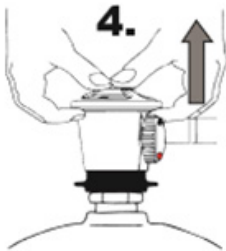
2.



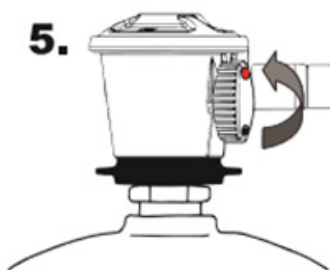
3.



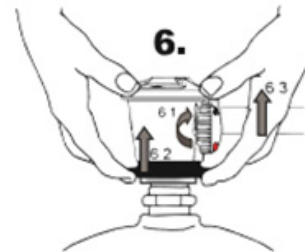
4.



5.



6.



MOSQUITO MAGNET®

Instruções

****LEIA O MANUAL ANTES DE LIGAR O APARELHO****

Carregue a bateria segundo as instruções na página 7p. Usando apropriadamente, uma carga durará toda a época.

Instruções para ligar o aparelho

É recomendável que leia o manual inteiro antes de ligar a armadilha Mosquito Magnet®.

1. Para ligar a armadilha, mantenha pressionado o botão ON/OFF (liga/desliga) por três segundos até que a luz de LED laranja se acenda.
2. A palavra RUN (em operação) aparecerá no visor. A palavra WARM (aquecimento) e as setas do indicador também piscarão no visor. A luz de LED (indicador acima do botão ON/OFF) será laranja.
3. O ventilador aumentará de baixa para alta velocidade após aproximadamente 3 minutos.
4. O visor mostrará a palavra WARM (aquecimento) piscando e a luz de LED ficará laranja por aproximadamente 15 a 25 minutos, enquanto a armadilha estiver em modo de aquecimento.
5. Após a armadilha atingir a sua temperatura operacional, a luz de LED ficará verde e a palavra WARM (aquecimento) desaparecerá do visor.

Instruções para desligar

Para desligar a armadilha, aperte o botão de ON/OFF (liga/desliga). A palavra RUN (em operação) aparecerá no visor. A palavra COOL (resfriamento) e as setas indicadoras piscarão no visor. A luz de LED continuará verde. Após um arrefecimento de dois minutos, o ventilador para a luz de LED desliga e a palavra OFF (desligado) aparecerá no visor.

Quando não estiver em uso

Quando a unidade não está em uso, o gás deve ser desconectado da botija. A armazenagem desta unidade em ambiente fechado só é permitida quando a botija tiver sido desconectada e removida. As botijas devem ser armazenadas ao ar livre, longe do alcance de crianças, e não devem ser armazenadas em nenhuma habitação, garagem ou qualquer outro ambiente fechado.

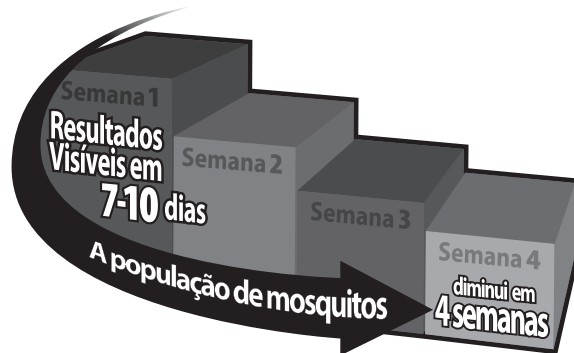
Armazenagem no fim da temporada

Consulte as instruções de desligar o aparelho acima descritas antes de fechar o regulador da botija de gás e de o desconectar. Desconecte também a bateria, mas certifique-se de não remover a bateria da armadilha. Qualquer cartucho de Octenol ou Mosquito Magnet® Pod Mosquito Magnet deve ser removido e descartado. Veja o rótulo do cartucho para instruções de descarte. A rede de captura de insectos também deve ser descartado antes de se guardar a armadilha.

ARMAZENAGEM: A armadilha deve ser guardada em ambiente fechado, numa garagem, armazém, etc, quando não estiver sendo usada (fora da época). Tape o funil para impedir que insectos façam ninho. Tape o aparelho com a cobertura para a armadilha, ou com uma lona e prenda firmemente à haste do aparelho para evitar a entrada de poeira, teias de aranhas e outros detritos.

Para melhores resultados, mantenha em operação 24 horas por dia

- A sua armadilha deve começar a capturar imediatamente, com uma significativa redução da população de mosquitos em 7 a 10 dias. Espere 4 semanas para reduzir significativamente a população de mosquitos no seu quintal.



- Deixe a armadilha arrefecer por 5 minutos antes de reinicializar.
- Nunca use inseticida em volta ou na própria armadilha.
- Pode-se deixar a armadilha em funcionamento na chuva, mas não coloque a armadilha diretamente sobre uma fonte de água (aspersor, mangueira, etc.).
- Se estiver usando cal ou compostos fertilizantes, certifique de desligar primeiro a armadilha para evitar que poeira ou vapor fino seja atraído para a armadilha e obstrua a rede de captura de insectos.

Advertência: Instalação, ajuste, alteração, serviço ou manutenção imprópria pode causar ferimentos ou dano à propriedade. Leia completamente as instruções de instalação, operação e manutenção, antes de instalar ou reparar este equipamento.

Cuidado: O regulador de gás que acompanha este aparelho deve ser usado. Este regulador está regulado para uma pressão de saída indicada pela coluna de água de 28 cm (27 mbar).

O fornecimento de gás deve ser desligado na botija de gás quando este aparelho não estiver em uso.



MOSQUITO MAGNET®

Tecnologia inteligente

Como programar os modos para a economia de combustível

A armadilha oferece a opção de funcionar 24 horas por dia, 7 dias por semana, ou em um dos quatro modos para a economia de gás que podem aumentar a durabilidade da sua botija de butano. A botija de gás durará aproximadamente 25 dias ao operar a sua armadilha 24 horas por dia, 7 dias por semana, o que é recomendado para a melhor taxa de captura. Observe a tabela abaixo para ter a noção da durabilidade de gás em relação com o modo escolhido.

Operação para a economia de gás	Duração da botija	Tempo de desligamento durante o dia	Tempo de desligamento durante o noite
Modo 1	27 dias	1 h	1 h
Modo 2	29 dias	2 hs	2 hs
Modo 3	32 dias	3 hs	3 hs
Modo 4	35 dias	4 hs	4 hs

* Com base em uma botija de gás de 11kg, valores aproximados

O modo de operação para a economia de combustível interromperá o fornecimento de gás no meio do dia e no meio da noite. Pesquisas têm demonstrado que a atividade de mosquitos é tipicamente mais baixa durante estes períodos.

Nota: O sistema de “Tecnologia Inteligente” detecta automaticamente os ciclos do dia e da noite dentro de um período de 24 horas, quando estiver no modo para a economia de gás. Este sistema utiliza um sensor fotoelétrico para permitir que a armadilha detecte e ajuste quando se deve desligar com base na mudança do nascer e do pôr-do-sol, à medida que as estações mudam.

Modos para a economia de combustível

1. Pressione o botão MODE (MODO) para selecionar os parâmetros do modo economizador de gás.

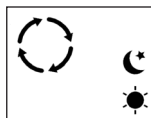


2. Cada vez que o botão MODE (MODO) for pressionado, o modo vai passar por 1, 2, 3, 4, Off (desligado), 1, etc.



3. O modo 1 desligará a armadilha por uma hora ao meio do dia e por uma hora ao meio da noite. Os modos 2, 3 e 4 correspondem a 2, 3 e 4 horas de tempo que o aparelho se desliga, respectivamente.

4. Para indicar que a armadilha está em modo para a economia de combustível, as setas piscarão e a luz de LED verde estará apagada. Além disso, o elemento sol piscará durante o dia e o elemento lua piscará durante a noite, quando em modo de economia de gás. O ventilador continuará operando na armadilha, a uma velocidade reduzida, para impedir que mosquitos escapem, mas não capturará mais nenhum mosquito durante este período.



5. Se a armadilha estiver programada no modo para a economia de gás, a bateria deve ser desconectada e depois reconectada cada vez que a botija de gás for substituída. É necessário desconectar a bateria para reprogramar o temporizador para a economia de combustível.

Encerramento do aparelho por baixa temperatura

A armadilha tem um sensor de temperatura que pode ser usado para que coloque o aparelho em modo de standby automaticamente quando a temperatura do ar exterior e no interior do aparelho estiverem ambos abaixo do programado. Pesquisas demonstram que existe muito pouca atividade de mosquitos quando a temperatura do ar desce abaixo dos 10°C (50°F). No entanto, em alguns locais e com algumas espécies de mosquitos, a atividade pode continuar a temperaturas interiores a 50°F (10°C). A armadilha tem uma função que permite escolher a que temperatura o aparelho se desliga, começando nos 10°C (50°F) e incrementando em incrementos de 2,8°C (5°F) até a uma temperatura mínima de -1°C (30°F). O aparelho vem configurado de fábrica com a função de baixa temperatura desligado.

Para ter acesso aos parâmetros do Corte por Baixa Temperatura, prima e mantenha premido o botão de Modo durante pelo menos 3 segundos até que apareça o menu de Corte por Baixa Temperatura. Avance através das várias opções de temperatura, pressionando o botão de Modo, começando por Off/Desligado (em branco) e depois -1, 1,7, 4,4, 7,2 e 10°C (30, 35, 40, 45 e 50°F). Continuando a premir o botão de Modo para além de 10°C (50°F) fará regressar a Off/Desligado (em branco) e depois repete o ciclo. Uma vez que se tenha feito uma escolha de temperatura, pare de premir o botão de Modo; espere aproximadamente 3 segundos; e a sua seleção de temperatura será automaticamente guardada em memória.

Se a armadilha estiver a funcionar (a palavra RUN/FUNCIÓNAR estará visível e a luz LED verde estará acesa), e tiver sido escolhido um valor de temperatura para o corte, a armadilha irá cortar/desligar quando a temperatura do ar e a temperatura da armadilha descenderem abaixo desse ponto. Quando a armadilha estiver no Modo de Corte por Baixa Temperatura a palavra COOL/FRIO e o ícone de Termómetro irão piscar. A armadilha recomeçará a funcionar quando o sensor de temperatura indicar que a temperatura do ar e a temperatura da armadilha estiverem aproximadamente 2,8°C (5°F) acima do valor selecionado para o corte por baixa temperatura. Se a armadilha estiver em modo de arranque/aquecimento quando a temperatura baixar abaixo do ponto de regulação selecionado, o aparelho irá desligar/parar, mas não reiniciará o funcionamento automaticamente.

Aviso de bateria fraca

O ícone da bateria e a palavra “attention” (atenção) piscarão se a bateria precisar ser recarregada.



Bloqueio de segurança para crianças

O botão ON/OFF (liga/desliga) precisa ser pressionado por 3 segundos completos para ligar a armadilha.



MOSQUITO MAGNET®

Manutenção

Manutenção

Se estiver a usar um dos modos para a economia de gás certifique-se de ajustar as datas na tabela abaixo (ver tabela na página 10p para coordenar o esquema de manutenção com o modo de operação).

- **Ciclo de manutenção de 25 dias-para o melhor desempenho**

- Substitua a botija de gás de 11kg. Duração aproximada de 25 dias em operação 24 horas por dia/7 dias por semana.
 - Substitua o cartucho de Octenol ou Mosquito Magnet® Pod. Veja o rótulo do cartucho para mais instruções..
 - Esvazie ou substitua a rede para a captura de insectos.
- Periodicamente limpe o exterior da armadilha com um pano limpo e humedecido com água.
- Carregue a bateria por 24 horas no começo da época.






Dicas Para a Troca da Botija de Gás

Verifique e inspecione o O-ring de borracha na botija de gás, certifique que não tem rachas ou cortes, certifique que o bocal e regulador se encontram limpos e livres de detritos, quando for colocar o regulador na botija de gás certifique que o mesmo fica bem fixo. Não há necessidade de usar ferramentas.

Por vezes as botijas de gás podem vir com alguns desgastes nas peças da válvula do bocal o que poderá fazer com que o regulador não consiga abrir a válvula do bocal da botija, isto fará com que o aparelho não tenha o fornecimento de gás para funcionar e o código de erro de falta gás irá aparecer, se for o caso, desligue o aparelho, feche e retire o regulador, volte a colocar o regulador numa posição diferente abra o regulador e tente reiniciar novamente o aparelho.



Resolução de problemas

Problema	Possível causa	Soluções
<p>A unidade não iarranca A unidade não continua a funcionar</p> <p>LCD </p> <p>A luz de LED vermelha piscando em intervalos de 7 segundos</p>	<ol style="list-style-type: none"> 1. A botija de gás pode estar vazia. 2. Se a botija de gás for nova, poderá haver um bloqueio de ar. 3. Pode haver alguma conexão solta. 4. A linha de gás pode estar bloqueada por contaminantes de gás. 5. O regulador não está totalmente acoplado. 6. A rede de captura de insectos pode estar cheia ou entupida. 	<ol style="list-style-type: none"> 1. Pese o a botija e compare com o peso de uma botija vazia. 2. Pode haver ar dentro da mangueira do gás, retire e volte a colocar o regulador e reinicie o aparelho. 3. Verique todas as conexões. Certifique-se de que o regulador da botija de gás está totalmente aberto. 4. Substitua a rede de captura de insectos.
<p>A unidade não continua a funcionar</p> <p>LCD </p> <p>Luz de LED piscando, alternando vermelho e laranja, em intervalos de 7 segundos</p>	<ol style="list-style-type: none"> 1. Baixa voltagem da bateria 	<ol style="list-style-type: none"> 1. Carregue a bateria antes de cada uso e no começo de cada época. O LED do carregador ficará verde quando a bateria estiver totalmente carregada. 2. Verifique a conexão da bateria, certifique-se de que esteja totalmente inserida e travada. 3. Se uma bateria totalmente carregada indicar baixa voltagem de bateria durante o ciclo, recarregue ou substitua a bateria.
<p>O aparelho desliga</p> <p>LCD </p> <p>Luz de LED piscando, alternando vermelho e verde, em intervalos de 7 segundos</p>	<ol style="list-style-type: none"> 1. Alta temperatura 	<ol style="list-style-type: none"> 1. Desligue a armadilha e deixe arrefecer por uma hora e depois volte a ligar a armadilha.
<p>O aparelho desliga</p> <p>LCD  </p> <p>Luz de LED piscando duas vezes vermelho, em intervalos de 7 segundos</p>	<ol style="list-style-type: none"> 1. Falha no termistor 	<ol style="list-style-type: none"> 1. Entre em contato com o seu provedor revendedor.
<p>O aparelho desliga Luz de LED - Vermelho</p>	<ol style="list-style-type: none"> 1. Falha elétrica 	<ol style="list-style-type: none"> 1. Entre em contato com o seu provedor revendedor.
<p>Pouca ou nenhuma captura</p>	<ol style="list-style-type: none"> 1. Ainda não é época de insectos. 2. Problema com o posicionamento da armadilha. 3. Os ciclos reprodutivos dos insectos que picam ainda não foram quebrados. 4. O sistema de circulação e fluxo de ar pode estar interrompido/obstruído. 	<ol style="list-style-type: none"> 1. Certifique-se de que a temperatura esteja consistentemente acima de 10°C (50°F). 2. Siga os passos da secção "Posicionamento da armadilha" neste manual. 3. Mantenha a armadilha operando constantemente, 24 horas por dia, 7 dias por semana, por no mínimo 4 semanas, para reduzir a população de mosquitos. 4. Verifique se o interior do funil, entrada da rede de captura e redes de circulação de ar se estão limpos, por vezes aranhas criam teias que podem prejudicar o fluxo e circulação de ar. Verifique se a rede de captura está limpa de pólen ou pó. Dependendo da idade do aparelho, poderá ter de ser aberto e limpo no interior, contacte o seu revendedor para mais informações.



MOSQUITO MAGNET®



MOSQUITO MAGNET[®]

Manuel de l'utilisateur

MISE EN GARDE – Cet appareil ne peut pas être utilisé par des personnes mineures (moins de 18 ans) et par des personnes ayant des capacités physiques, sensorielles ou mentales réduites ou dénuées d'expérience ou de connaissance même s'ils (si elles) sont correctement surveillé(e)s ou si des instructions relatives à l'utilisation de l'appareil en toute sécurité leur ont été données et si les risques encourus ont été appréhendés. Les personnes mineures ne doivent pas jouer avec l'appareil. Le nettoyage et l'entretien par l'utilisateur ne doivent pas être effectués par des personnes mineures. L'appareil doit être utilisé uniquement avec l'alimentation fournie avec l'appareil. Le symbole apposé sur le produit ou son emballage indique qu'il ne doit pas être mis au rebut avec les déchets ménagers. Il vous incombe de mettre au rebut votre équipement usagé en l'apportant à un point de collecte désigné pour le recyclage de l'équipement électrique et électronique. La collecte et le recyclage séparés de votre équipement usagé au moment de la mise au rebut permettra de préserver les ressources naturelles et de s'assurer qu'il est recyclé d'une manière qui protège la santé humaine et l'environnement. Pour de plus amples renseignements sur l'endroit où vous pouvez déposer les déchets à recycler, veuillez vous adresser aux autorités locales ou au magasin où vous avez acheté le produit.



MOSQUITO MAGNET®

Table des matières

Arrêt automatique en cas de basse température	F3
Bienvenue	F4
Consignes de sécurité	F5-6
Pièces principales	F7
Consignes d'assemblage	F8
Assemblage du piège	
Installation Sac à insectes	
Installation	F9-10
Consignes de chargement	
Emplacement du piège	
Installation de la bouteille de butane	
Instructions	F11
Consignes de démarrage	
Consignes d'arrêt	
Lorsqu'il n'est pas utilisé	
Entreposage à la fin de la saison	
Pour des résultats optimaux	
Verrouillage de sécurité pour les enfants	
Technologie Smart	F12
Réglage des modes d'économie de carburant	
Modes d'économie de carburant	
L'arrêt à des températures froide	
Avertissement de pile faible	
Entretien	F13
Calendrier d'entretien	
Conseils pour le changement de la bouteille de Butane	
Dépannage	F14
Codes de défaut DEL	



Brevetés™ Technology à contre-courant

Fonctionnement du Mosquito Magnet® Executive

Fonctionnement du Mosquito Magnet® Executive. Les moustiques utilisent l'appât à longue portée dioxyde de carbone (CO₂) pour localiser les personnes. Une fois à proximité, les moustiques utilisent les appâts à courte portée comme les odeurs émises par la peau, pour déterminer quelle personne ils vont piquer. Le Mosquito Magnet Executive imite une personne par la conversion du butane en (CO₂), grâce à sa technologie brevetée de conversion catalytique, en combinaison avec un appât à courte portée.

Attirés par le (CO₂) et les appâts à courte portée, les moustiques sont attirés par le Mosquito Magnet Executive. Quand ils atteignent le piège, les moustiques sont aspirés dans un filet à insectes par notre technologie brevetée Counter Flow™, où ils se déshydratent et meurent dans les 24 heures.

Le Mosquito Magnet est silencieux et sans odeur. Placé correctement dans votre jardin, le piège se met immédiatement à fonctionner. On observera des résultats évidents en 7 à 10 jours. Il faudra compter 4 semaines pour réduire sensiblement votre population d'insectes qui piquent. Laissez le Mosquito Magnet dehors pendant tout l'été, afin de réduire la population de moustiques dans votre jardin.

Il est seulement question des insectes qui piquent; y compris moustiques, moucheron, mouches noires et moucheron piquants. Les insectes utiles, tels que les papillons, abeilles ou lépidoptères ne seront pas touchés.

Woodstream Canada Corporation
25 Cour Bramtree, Unité 1
Brampton, Ontario Canada L6S 6G2
Tel: (800) 800-1819
www.mosquitomagnet.com

Modèle n°:	Executive
N° de série:	
Type de gaz:	Butane
Pression d'admission:	2,7 kPa (11 "WC)
Pression minimale d'alimentation en gaz	2,7 kPa (11 "WC)
Consommation thermique:	759 kJ / Hr. (759 Btu/ h)
Dégagement:	50-60 cm (20 à 24 ")



MOSQUITO MAGNET®

Arrêt automatique en cas de basse température

Le piège a un capteur de température qui peut être utilisé pour mettre le piège automatiquement en mode veille lorsque la température de l'air extérieur et la température du piège sont tous deux en dessous d'un point de consigne pouvant être **sélectionné par l'utilisateur**. Des recherches ont démontré qu'il existe très peu d'activité de moustiques lorsque la température de l'air tombe en dessous de 10 °C (50 °F). Toutefois, dans certains endroits et avec certaines espèces de moustiques, l'activité peut se poursuivre à des températures inférieures à 10 °C (50 °F). Le piège a un point de départ d'arrêt automatique en cas de basse température pouvant être **sélectionné par l'utilisateur** à 10 °C (50 °F) qui peut être abaissé par paliers de 2,8 °C (5 °F) jusqu'à une température minimum de -1 °C (30 °F). **Le réglage par défaut ne sélectionne pas un arrêt en cas de basse température.**

Pour accéder aux paramètres d'arrêt automatique en cas de basse température, appuyez et maintenez le bouton Mode pendant au moins 3 secondes jusqu'à ce que le menu d'Arrêt automatique en cas de basse température apparaisse. Faites défiler les choix de température en appuyant sur le bouton Mode, en commençant par Off (non activé) jusqu'à -1 (30), 1,7 (35), 4,4 (40), 7,2 (45), et 10 °C (50 °F). Après 10 (50), le défilement du bouton Mode sera de nouveau à Off (non activé), puis le cycle recommencera. Une fois le choix de la température fait, arrêtez d'appuyer sur le bouton Mode; attendez environ 3 secondes et votre choix de température sera automatiquement sauvegardé.

Si le piège est en marche (le mot « RUN » est visible et le voyant DEL vert est allumé), et une valeur d'arrêt automatique en cas de basse température a été sélectionnée, le piège s'arrêtera lorsque la température de l'air et la température du piège auront chuté en dessous de ce point de consigne. Lorsque le piège est en mode d'arrêt automatique en cas de basse température, le mot « COOL » et l'icône du thermomètre clignoteront. Le piège redémarrera lorsque le capteur de température indiquera que la température de l'air et la température du piège sont **d'environ 2,8 °C (5 °F) au-dessus de la valeur d'arrêt automatique en cas de basse température sélectionnée.**

Si le piège est en mode de réchauffement lorsque la température descend sous le point de consigne sélectionné, il s'arrêtera, mais **il ne redémarrera pas automatiquement.**

Woodstream Corporation 69
North Locust Street Lititz,
PA 17543
United States
www.mosquitomagnet.com



MOSQUITO MAGNET®

Bienvenue

Félicitations pour votre achat de Mosquito Magnet® Executive.

Soutenu par 18 années de recherche et de d'essais indépendants, il est scientifiquement prouvé que Mosquito Magnet® Executive capture et tue les moustiques.

Mosquito Magnet Executive est facile à utiliser. Dans ce manuel, vous apprendrez tout ce que vous avez besoin de savoir sur son fonctionnement, le meilleur emplacement du pièges, la maintenance, l'entreposage et la garantie. Les clés du succès sont l'emplacement du piège, l'utilisation de l'appât adéquat pour votre région et de maintenance routine. Pour le taux de capture optimal, vous aurez besoin de changer la bouteille Butane et l'appât tous les 21 jours.

Notre service à la clientèle en ligne est disponible pour répondre à toutes vos questions concernant votre nouvel achat. N'hésitez pas à nous contacter ...

Woodstream™ Corporation

69 North Locust Street
Lititz, PA 17543
USA
www.mosquitomagnet.com

Brevets:

US & Canada

US Patents: Nos. 5,813,166; 6,655,080; 6,662,489; 6,817,140; 6,840,005;
6,848,466; 6,892,492; 7,074,830; 7,181,885; 7,281,351; 7,293,387;
7,536,824; 7,614,180; 7,910,091; 7,987,631; 8,006,432; 8,067,469;
8,141,291; 8,347,549; 8,470,881; 8,753,110; 8,973,299; 9,949,471
Canada Patents: Nos. 2322038; 2460876; 2558775; 2569737; 266346

All Other Countries

Australia: 735984; 2002356537; 2005226680; 2005251813; 2007258277;
2008246208; 2012202864 Brazil: 9908104-0; PI0213059-9; PI0508967-0

China: ZL0281957.X; ZL20058000881.0; ZL200580025316.5;
ZL200580046646.2; ZL200780029874.8; ZL200910254151.9

Denmark: 1432304

Europe: 1049373; 1432304; 1537780; 1827093; EP1725094B; EP1765068B

Finland: 1432304; 1827093; EP1725094B

France: 1049373; 1432304; 1537780; 1765068; 1827093; EP1725094B

Germany: 1049373; 1725094; 60211538.8

Hong Kong: HK1107743; HK1112810; HK1148207 Italy: 1049373;

1432304; 1537780; 1725094; 1765068; 1827093

Japan: 4317748; 4741578; 5444525

Mexico: 314022

New Zealand: 506403; 542745

Portugal: 1765068

Sweden: 1432304; 1537780; 1765068; 1827093; EP1725094B

United Kingdom: 1049373; 1432304; 1537780; 1725094; 1765068; 1827093

Fabrique aux China

POUR VOTRE SÉCURITÉ

Si vous sentez une odeur de gaz:

- 1. Coupez l'alimentation de le gaz de l'appareil.*
- 2. Éteignez toute flamme nue.*
- 3. Ouvrez le couvercle.*
- 4. Si l'odeur persiste, appelez immédiatement votre fournisseur de gaz ou votre service d'incendie.*

POUR VOTRE SÉCURITÉ

- 1. Ne pas entreposer ni utiliser d'essence ou autres vapeurs et liquides inflammables à proximité de cet ou tout autre appareil.*
- 2. Une bouteille de butane non branchée ne doit pas être exposée à proximité de cet ou tout autre appareil.*



MOSQUITO MAGNET®

Consignes de sécurité

S'il vous plaît lisez et suivez toutes les consignes et avertissements de sécurité.

Les enfants et les adultes doivent être avertis des risques liés à une température de surface élevée, et demeurer loin de celle-ci pour éviter des brûlures ou la combustion de leurs vêtements.

Les jeunes enfants doivent être supervisés soigneusement lorsqu'ils se trouvent à proximité de l'appareil.
GARDER HORS DE LA PORTÉE DES ENFANTS.

Les vêtements ou autres matières inflammables ne doivent pas être suspendus sur l'appareil ou placés sur ou à proximité de celui-ci.

Remarque: Certaines ou toutes les consignes de sécurité suivantes concernant les appareils alimentés au butane peuvent s'appliquer à votre piège. Laisser le piège se refroidir pendant 5 minutes avant de redémarrer.

⚠ Avertissement: Toute installation, modification, altération, ou procédure de réparation ou d'entretien inadéquate peut causer des blessures ou des dégâts matériels. Lire les consignes d'installation, d'utilisation et d'entretien avant d'installer ou de réparer cet appareil.

⚠ Attention: Ce régulateur est réglé pour une pression de sortie de 2,7 kPa (11 po WC). La pression d'entrée minimum d'approvisionnement en gaz est de 2,7 kPa (11 po WC) du régulateur.

- Cet appareil n'est pas destiné à être installé dans ou sur les véhicules récréatifs et / OU des bateaux.
- L'approvisionnement en gaz doit être coupée à la bouteille de gaz lorsque cet appareil n'est pas utilisé.
- L'installation doit être conforme aux codes locaux au, en l'absence de codes locaux, au National Fuel Gas Code, ANSI Z223. 1-1998 pour les États Unis et au CANI-B149 pour le Canada.
- Pour vérifier la présence d'une fuite de gaz, mettre de l'eau, savonneuse autour du connecteur du régulateur et du tuyau de gaz. Si des bulles apparaissent, il y a une fuite de gaz.
- Inspectez le tuyau avant chaque utilisation de l'appareil. Si il est évident qu'il ya de l'abrasion ou une usure excessive, ou si le tuyau est coupé, il doit être remplacé avant de faire fonctionner l'appareil. Le tuyau de gaz et le détendeur doivent être identiques à ceux fournis à l'origine avec l'appareil (voir les indications ci-contre pour procéder au changement du tuyau et du détendeur). Nous vous conseillons tout de même de contacter un service après-vente agréé Mosquito Magnet pour procéder à ces remplacements et garantir le bon fonctionnement de votre appareil.
- Le piège est équipé d'une étincelle intérieure. Le non respect de la procédure de démarrage peut nuire au démarrage du piège.
- L'installation et la réparation doivent être effectuées par une personne qualifiée (trouver des centres de service sur www.mosquitomagnet.com). L'appareil de chauffage doit être inspecté avant l'utilisation et au moins annuellement par une personne qualifiée. Un nettoyage plus fréquent peut être nécessaire. Il est impératif que le compartiment de contrôle, les brûleurs et les conduits d'air de l'appareil de chauffage soient gardés propres.



MOSQUITO MAGNET®

Consignes de sécurité

- Maintenir des espaces de dégagement adéquats de 50-60 cm (20 " - 24") autour des orifices de ventilation dans la chambre de combustion, les dégagements des matériaux combustibles, des dispositions d'accessibilité et d'alimentation en air de combustion et de ventilation. Garder la zone de piège claire et exempte de matériaux combustibles, essence et autres vapeurs et liquides inflammables. L'appareil ne doit pas être utilisé dans des endroits où des vapeurs inflammables ou des poussières explosives peuvent exister.
- Ne pas obstruer le conduit d'air de combustion et de ventilation.
- Garder les ouvertures de ventilation de l'enceinte de la bouteille libres et exemptes de débris.
- Nettoyer le piège avec un chiffon humide d'eau, si nécessaire.
- Une bouteille 13 kg maximum doit être utilisée.
- La bouteille de gaz doit être munie d'un robinet d'arrêt au bout des conduits d'écoulement de la bouteille de gaz qui est conçu pour une connexion n° 510 selon la norme sur les raccords d'entrée et de sortie de vanne de bouteilles à gaz comprimé, ANSI/CGA-V- 1-1977.
- Le système d'alimentation de la bouteille de gaz doit être adapté pour le retrait de vapeur et le cylindre doit avoir un collet pour protéger le robinet de la bouteille.
- Le piège doit être utilisé à l'extérieur seulement dans un espace bien aéré et ne doit pas être utilisé dans un bâtiment, un garage ou tout autre endroit fermé.
- La bouteille de gaz doit être débranchée et retirée de l'appareil, si l'appareil est entreposé à l'intérieur.
- Les bouteilles de gaz doivent être entreposées à l'extérieur dans un endroit bien aéré, hors de la portée des enfants.
- Faites en sorte que les bouteilles de gaz débranchées soient munies de bouchons filetés bien installés et qu'elles ne soient pas entreposées dans un bâtiment, garage ou autre espace fermé.
- Le régulateur de pression et le raccord de tuyau fournis avec cet appareil doivent être utilisés pour la connexion à la bouteille de gaz. Le remplacement des régulateurs de pression et des raccords de tuyaux doivent être identiques à ceux fournis par le constructeur.
- N'entreposez jamais le produit à côté d'une source de chaleur ou d'une flamme ou à des températures dépassant les 60°C.
- Régulateur et assemblage tuyau de catégorie A
- Pression nominale de service : 2,74 kPa
Pressions de sortie : de 2,50 kPa à 3,5 kPa
Vitesse: 0,84 m/s -1,40 m/s

Visitez www.mosquitomagnet.com

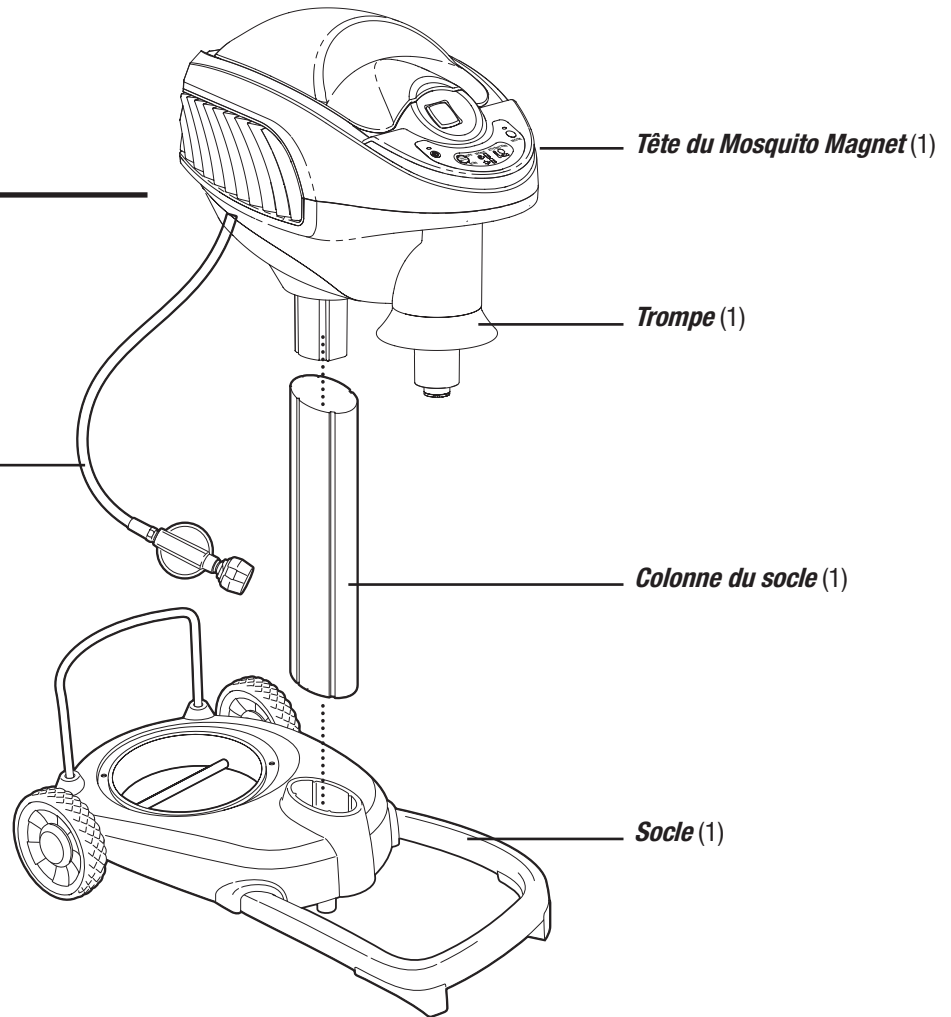


MOSQUITO MAGNET®

Pièces principales

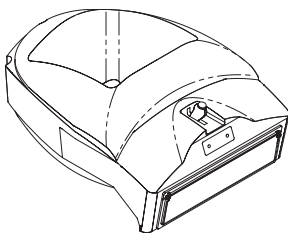
Système autonome
Executive

Tuyau du
régulateur (1)

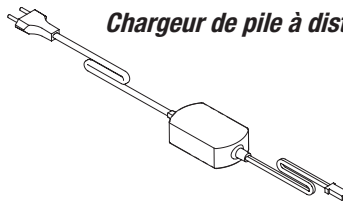


Pièces incluses

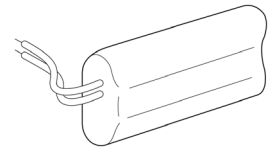
Filet à insectes



Chargeur de pile à distance



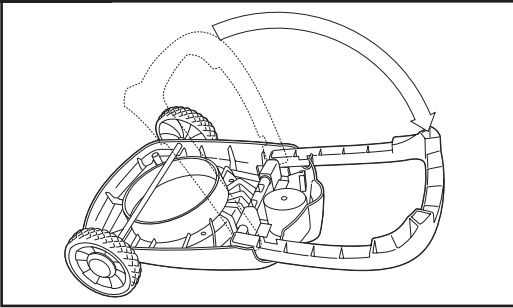
Pile rechargeable



MOSQUITO MAGNET®

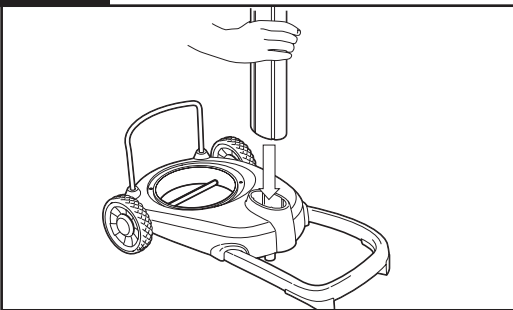
Assemblage du piège

Étape 1



Placer la base à l'envers sur une surface plane, déplier la jambe support en U jusqu'à ce qu'il se verrouille en place.

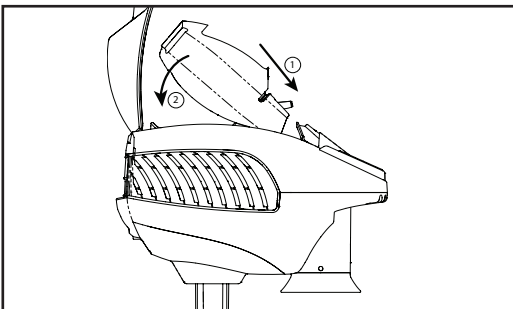
Étape 2



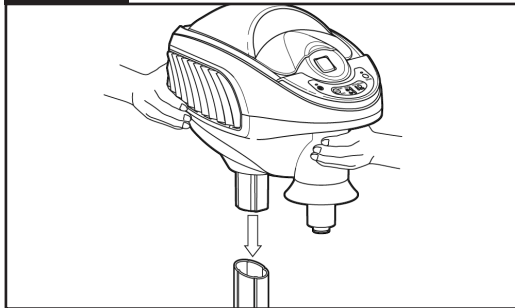
Tourner la base et les pieds à l'endroit, et placer la perche de maintien dans la cavité sur la base.

Installation Sac à insectes:

Pour insérer le sac à insectes, soulever le couvercle en plastique transparent, insérer la partie avant du sac dans le compartiment puis, pousser la partie arrière du sac doucement vers le bas pour le mettre en place. Fermer le couvercle en plastique lorsque terminé.



Étape 3



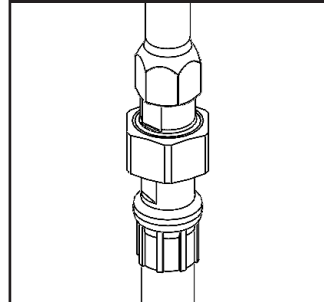
Placer la tête mécanique du piège dans la perche. Appuyer fermement avec les deux mains pour la fixer.

Lorsque l'assemblage est terminé, le devant de la tête de pompe/trompette devrait être le plus éloigné des roues dans la même direction que les pieds en forme de U.

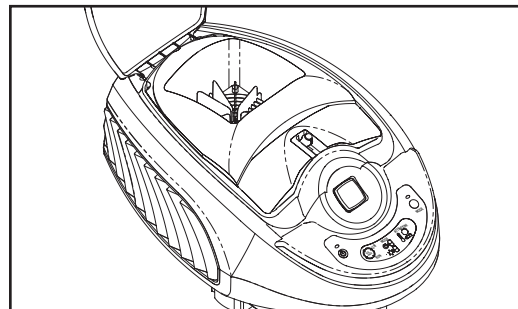
Étape 4

La pile n'étant pas complètement chargée en usine elle doit être chargée à la première utilisation. Lorsque qu'elle est utilisée de manière appropriée, la charge devrait durer toute la saison. Voir ci-dessous pour de plus amples détails.

MISE EN GARDE



NE PAS CHOQUER LA FIXATION DU TUYAU AVEC LE RÉSERVOIR DE PROPANE. NE PAS TRAVAILLER AVEC L'ACCESSOIRE DE TUYAU CONNECTÉ AU SIPHON.



Installation

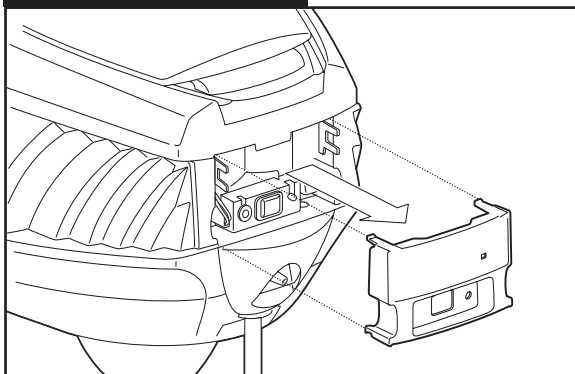
Consignes de chargement

1. Retirer le panneau recouvrant à l'arrière de la tête mécanique (panneau se désenclenche).
2. Le chargeur de pile n'est pas prévu pour être utilisé à l'extérieur. La pile doit être chargée à l'intérieur.
3. Branchez le chargeur dans une prise appropriée à l'intérieur.
4. Connectez la pile rechargeable au chargeur de pile.
5. La DEL sur le chargeur de pile indique rouge lorsque la pile se recharge. Lorsque la pile est entièrement chargée, le voyant DEL deviendra vert. Le temps de chargement est inférieur à deux heures.
6. Le chargeur de pile est automatique, il s'arrêtera à une charge courant d'entretien sécuritaire lorsque la pile est complètement chargée. Il ne surchargera pas la pile. Pour maximiser la durée de vie de la pile ne pas la laisser sur le chargeur pendant de longues périodes.
7. Lorsque la pile est complètement chargée, débranchez la pile du chargeur de pile et la placer dans le Mosquito Magnet Executive.
8. Insérer et connecter la pile rechargeable.
9. Replacer le panneau recouvrant à l'arrière de la tête mécanique.

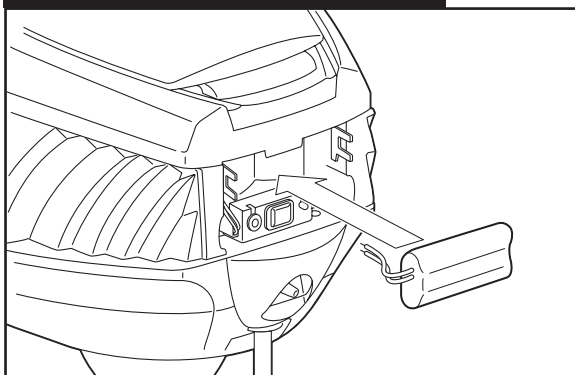
Emplacement du piège

1. Déterminer la direction du vent dominant. Vérifiez les conditions météorologiques locales si vous n'êtes pas sûr.
2. Se tenir au centre de la zone que vous essayez de protéger et se tourner vers le vent dominant.
3. Le positionnement correct du piège sera 9-12 m (30 à 40 pieds) en avant de soi, dans 1,5 à 1,8 m (5-6 pieds) de l'habitat des moustiques (c.-à-eaux stagnantes, de buissons, massifs de fleurs, la limite forestière, le marais). Veiller à ce que le piège ne soit pas directement contre tout blocage tels que les bâtiments, les clôtures, etc.
4. Il est recommandé de placer le piège à l'ombre.
5. Ne pas placer le piège directement au-dessus d'une source d'eau (arroseurs, tuyaux, etc.)
6. Le piège doit être placé sur un terrain plat pour éviter d'être renversé ou que la distribution de butane ne soit pas uniforme.
7. Voir notre site web à www.mosquitomagnet.com pour construire votre diagramme propre cour.

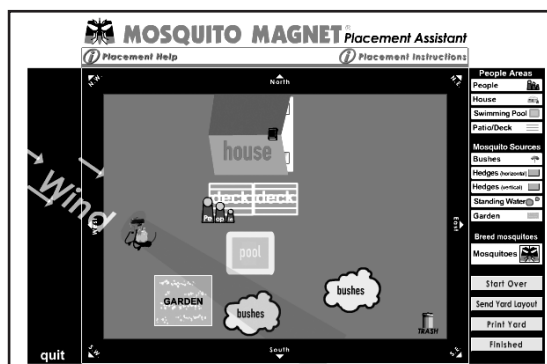
Enlevez la plaque arrière



Insérez et connectez la pile



REMARQUE: Assurez-vous que le panneau recouvrant est remplacé, le piège n'est pas étanche lorsque ce panneau recouvrant est retiré.



MOSQUITO MAGNET®

Installation

Installation de la bouteille de butane

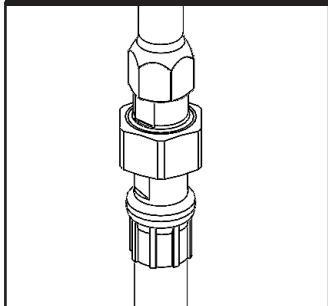
1. Après avoir trouvé l'emplacement idéal du piège, placer la bouteille de butane dans le berceau moulé. Pour la France, utiliser le support en métal noir pour pouvoir y poser les bouteilles en métal de 13kg. Le petit arceau arrière en plastique doit être retiré.
2. Après s'être assuré que la bouteille de gaz est bien fermée, Visser le détendeur à la bouteille.
Bien serrer à la main. **Ne pas utiliser, d'outils.**
3. Ouvrir la bouteille en tournant lentement dans le sens inverse des aiguilles d'une montre. Prendre soin de ne pas tourner trop vite pour éviter d'enclencher le clapet anti-retour dans le détendeur.
Effectuer un test d'étanchéité avant de mettre le Mosquito Magnet sur On.

⚠ NE PAS DÉPLACER LE PIÈGE LORSQUE LA BOUTEILLE EST FIXÉE !
POUR DÉPLACER LE MOSQUITO ARRÊTER LE ET DEBRANCHER LA BOUTEILLE DE GAZ POUR NE PAS ENDOMMAGER LE RÉGULATEUR ET/OU LE PIÈGE
LES DOMMAGES CAUSÉS PAR LE NON-RESPECT DE CES CONSIGNES NE SONT PAS COUVERTS PAR LA GARANTIE.

Installation de l'appât R-Octenol et Atrakta

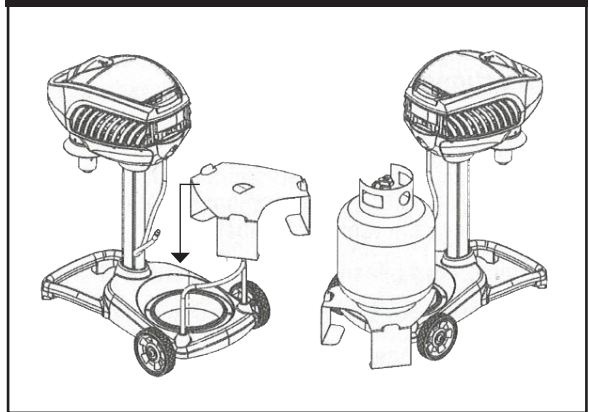
Voir la notice de l'appât synergiste à base de R-Octenol et de l'Atrakta du Mosquito Magnet® pour les instructions d'installation, d'utilisation, d'entreposage et d'élimination.

MISE EN GARDE

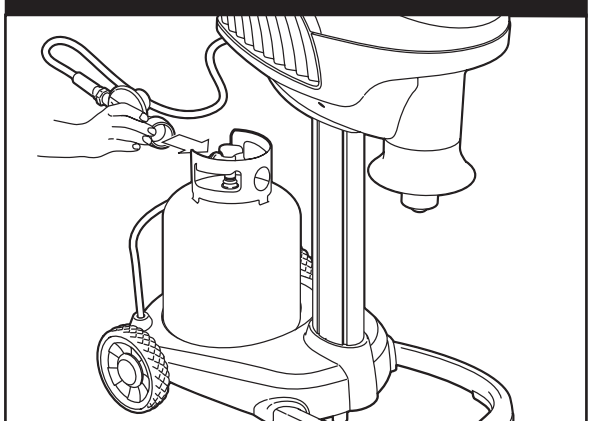


Attention, lors de l'enlèvement et la remise en place de la bouteille de gaz, attention à ne pas cogner la pièce en métal sur laquelle est connecté le tuyau de gaz pour éviter d'endommager la pièce. Lors des différentes opérations de nettoyage, toujours déconnecter le détendeur de la bouteille de gaz.

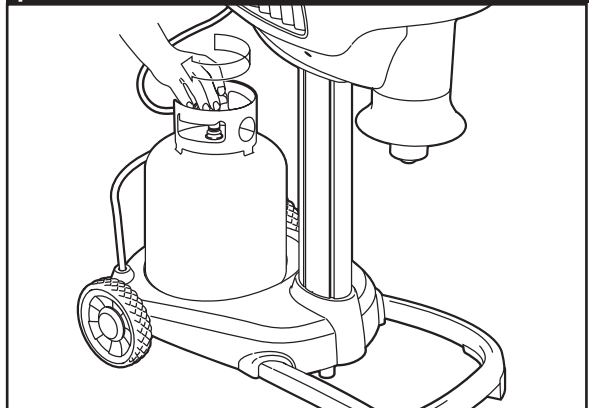
Étape 1 - Poser la bouteille sur le support en métal prévu à cet effet



Étape 2 - Visser le détendeur sur la bouteille



Étape 3. Ouvrir la bouteille de gaz et appuyer 2 ou 3 fois sur la petite tétine en métal sous le détendeur pour l'amorcer.



Instructions

*** LIRE LE MANUEL AVANT DE COMMENCER****

Chargez votre pile en suivant les consignes de chargement.
Lorsqu'elle est utilisée de manière appropriée la pile durera toute la saison.

Instructions de mise en service

Nous vous conseillons de lire tout le manuel avant de mettre en marche le piège.

1. Pour démarrer le piège, après avoir ouvert la bouteille de gaz et amorcé le détendeur appuyez et maintenez le bouton ON / OFF pendant trois secondes jusqu'à ce que le voyant DEL devienne orange.
2. RUN apparaîtra sur l'écran. WARM et les flèches indicatrices également clignoteront sur l'écran. Le voyant DEL (indicateur sous le bouton ON/OFF) sera orange.
3. Le ventilateur accélérera de la vitesse lente à vitesse rapide après environ 3 minutes.
4. WARM clignotera sur l'écran et le voyant DEL sera orange pendant environ 15 - 25 minutes alors que le piège se réchauffe.
5. Lorsque le piège aura atteint la température de fonctionnement, le voyant DEL sera vert et WARM disparaîtra de l'écran.

Pour éteindre

Pour arrêter le piège, appuyez sur le bouton ON/OFF. RUN apparaîtra sur l'écran. COOL et les flèches indicatrices clignoteront sur l'écran. Le voyant DEL sera vert. Après deux minutes de refroidissement, le ventilateur s'arrêtera, le voyant DEL s'éteindra et OFF apparaîtra sur l'écran.

Lorsque le piège n'est pas utilisé

Si l'appareil n'est pas utilisé, le gaz doit être coupé à la bouteille de gaz. L'entreposage de l'appareil à l'intérieur n'est autorisé que si la bouteille est débranchée et retirée de l'appareil. Les bouteilles doivent être entreposées à l'extérieur, hors de portée des enfants et ne doivent pas être entreposées dans un bâtiment, un garage ou tout autre endroit fermé.

Entreposage à la fin de la saison

Référez-vous à la section consignes d'arrêt ci-dessus avant de fermer la vanne de la bouteille de butane et débrancher le détendeur. Fermez la vanne de la bouteille de butane et débranchez le détendeur. En outre, débranchez la pile, mais veillez à ne pas retirer la pile du piège.

Tous les Mosquito Magnet® appât à moustiques à base d'R-Octenol ouverts doivent être enlevés et jetés. Voir l'étiquette d'appât pour les instructions d'élimination. Le sac à insectes devrait également être nettoyé avant de ranger le piège.

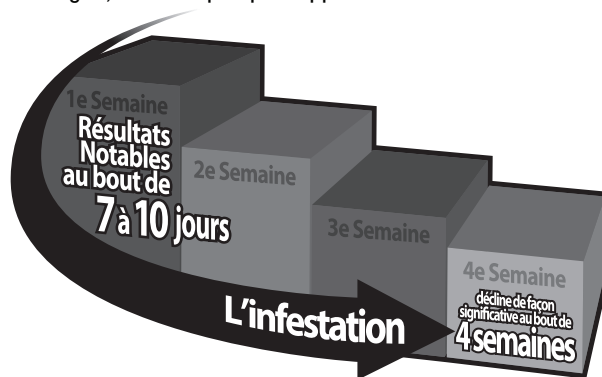
ENTREPOSAGE: Mosquito Magnet Executive devrait être entreposé à l'intérieur dans un garage ou un abri dans la morte-saison. Couvrir la trompette afin d'éviter que les insectes ne s'y nichent. Couvrir l'appareil avec le couvercle du piège disponible à www.mosquitomagnet.com ou avec une bâche et bien fixer la base pour éviter toute accumulation de poussière, de toiles d'araignées et d'autres débris.

Nous vous conseillons de mettre la tête complète de votre Mosquito Magnet dans un sac plastique et de la mettre ensuite dans un carton que vous devrez fermer pour protéger complètement la tête des insectes et de la poussière.

Pour optimiser l'utilisation du piège (ce dernier doit fonctionner 24 heures sur 24, 7n)

• **Votre piège se mettra immédiatement à attirer les moustiques à proximité, ce qui se traduira par une réduction importante de leur population dans votre jardin d'ici 7 à 10 jours.** Il faudra compter 4 semaines pour réduire de façon significative le nombre de moustiques dans votre environnement.

Ne vous inquiétez pas si vous constatez que les moustiques tournent autour de la trompe et qu'ils ne finissent pas directement dans le filet. Comme l'aspiration est relativement faible pour cibler uniquement les insectes de petites tailles, ils finiront dans le filet dès qu'ils rentreront un peu plus dans la trompe. La présence des moustiques autour de la trompe est un bon signe, cela indique que l'appareil les attire bien.



- Laisser le piège se refroidir pendant 5 minutes avant de redémarrer.
- Ne vaporisez jamais d'insecticide dans le piège ou alentours.
- Le piège peut être laissé en marche sous la pluie.
- Si vous utilisez des composés de chaux ou d'engrais, assurez-vous d'arrêter d'abord le piège pour empêcher la poussière ou de brouillard de vaporisation d'être attiré dans le piège et le sac à insectes ce qui obstruerait le sac.

AVERTISSEMENT: Toute installation, modification, altération, ou procédure de réparation ou d'entretien inadéquate peut causer des blessures ou des dégâts matériels. Lire les consignes d'installation, d'utilisation et d'entretien avant d'installer ou de réparer votre Mosquito Magnet.

Attention: Le détendeur de pression de gaz fourni avec cet appareil doit être utilisé. Ce régulateur est réglé pour une pression de sortie de 2,7 kPa (11 po WC).

L'alimentation en gaz doit être coupée à la bouteille de gaz lorsque cet appareil n'est pas utilisé.



MOSQUITO MAGNET®

Technologie Intelligente

Réglage des modes d'économie de carburant

Le piège a la possibilité de fonctionner 24h / 24 ou dans un des 4 modes d'économie de carburant qui peut prolonger la vie de votre bouteille de butane. La bouteille de butane durera environ 21 jours en fonctionnement du piège 24h / 24. S'il vous plaît, consulter le tableau ci-dessous pour voir le gain obtenu en jours en fonction du mode de fonctionnement.

Opération d'économie de carburant	Autonomie de la bouteille	Arrêt pendant la nuit	Arrêt pendant la jour
Mode 1	22 jours	1 heure	1 heure
Mode 2	24 jours	2 heures	2 heures
Mode 3	27 jours	3 heures	3 heures
Mode 4	30 jours	4 heures	4 heures

* Base sur une bouteille de butane de 13 kg (20 lb)

Le mode de fonctionnement d'économie de carburant arrêtera l'utilisation du butane dans le milieu de la journée et au milieu de la nuit. La recherche a démontré que l'activité des moustiques est la plus faible en général au cours de ces périodes.

Note: Avant de régler le mode d'économie de carburant, le piège doit fonctionner 24heures/jour pendant 3 jours complets pour permettre au système <<Smart Technology>> d'apprendre les cycles de jour et de nuit. Ce système utilise un capteur photo pour permettre au piège d'apprendre et d'adapter les arrêts basés sur le décalage entre le lever et le coucher de soleil tenant compte du changement des saisons.

Modes d'économie de carburant

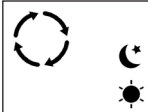
1. Appuyez sur le bouton MODE pour sélectionner le réglage du mode d'économie de gaz.



2. Chaque fois que le bouton MODE est pressé le cycle du mode sera à 1, 2, 3, 4, Off, 1, etc.



3. Le mode 1 arrêtera le piège pendant 1 heure au milieu de la journée et pendant 1 heure au milieu de la nuit. Les modes 2, 3 et 4 correspondent à 2, 3 et 4 heures d'arrêt respectivement.

4.  Pour indiquer que le piège est en mode d'économie de carburant, les flèches se mettront à clignoter et le voyant DEL vert s'éteindra. En outre, l'élément du soleil clignotera pendant la journée et l'élément

de la lune clignotera pendant la nuit lorsque le piège est en mode d'économie de carburant. Le ventilateur continuera de fonctionner dans le piège, à une vitesse réduite, pour éviter toute fuite de moustiques, mais aucun moustique supplémentaire ne sera capturé pendant cette période.



L'arrêt / lors de températures froides

Le piège a un capteur de température qui peut être utilisé pour mettre automatiquement le piège en mode veille lorsque la température de l'air extérieur et la température de piège sont à la fois en dessous d'un choix de l'utilisateur et des consignes d'utilisation. Des recherches ont démontré qu'il existe très peu d'activité contre les moustiques lorsque la température de l'air tombe en dessous de 50° F (10°C). Toutefois, dans certains endroits et avec certaines espèces de moustiques, l'activité peut se poursuivre à des températures inférieures à 50° F (10°C). Le choix des températures commence à 50F (10°C) et baisse ensuite par pallier de 5° F (2,8°C) jusqu'à une température de 30° F (-1°C). Le réglage par défaut sur le piège n'est pas l'arrêt automatique par basse température.

Pour accéder à la page Paramètres d'arrêt de température froide, appuyez et maintenez le bouton Mode pendant au moins 3 secondes jusqu'à ce que le menu Arrêt Froid apparaisse. Défiler les choix de température en appuyant sur le bouton Mode, en commençant par Off (blanc), puis à 30, 35, 40, 45, et 50 (° F). Continuer à basculer sur le bouton Mode après 50 le cycle reviendra à Off (blanc), puis le cycle se répétera. Une fois que le choix de la température a été fait, arrêter d'appuyer sur le bouton Mode; attendre environ 3 secondes; et votre choix de température sera automatiquement sauvegardé.

Si le piège est en marche (le mot RUN est visible et la lumière voyant vert est allumé), et une valeur d'arrêt de température froide a été sélectionnée, le piège s'arrête lorsque la température de l'air et la température du piège a chuté en dessous de ce point de réglage. Lorsque le piège est en mode Température de l'arrêt à froid le mot COOL et l'icône du thermomètre clignote. Le piège redémarre lorsque le capteur de température indique que la température de l'air et la température du piège sont d'environ 5° F (2,8°C) au-dessus de la valeur de coupure à basse température sélectionnée. Si le piège est en mode chaud quand la température descend sous le point de consigne choisi, il s'arrêtera, mais il ne redémarre pas automatiquement.



Avertissement de pile faible

L'icône de la pile "ATTENTION" clignotera si la pile doit être rechargée.

Verrouillage de sécurité pour les enfants

Le bouton ON/ OFF doit être maintenu pendant 3 secondes pour allumer le piège.



Entretien

Calendrier d'entretien

Si vous utilisez un de nos modes d'économie de carburant, veillez à ajuster les cycles en conséquences.

• **Cycle d'entretien de 21 jours - pour une performance optimale de maximiser joint.**

- Remplacer la bouteille de Butane. (La réserve dure environ 21 jours lorsque l'appareil fonctionne 24 heures / jour).
- Remplacer la cartouche d'appât de courte portée. Voir l'étiquette du Mosquito Magnet® appât à moustiques à base d'octenol pour connaître les consignes.

• *Essayer périodiquement l'extérieur du piège avec un chiffon propre et humidifié avec de l'eau.*

• *Chargez votre pile pendant 24 heures au début de la saison.*

Conseils pour le changement de la bouteille de butane

Lorsque vous raccordez l'écrou du détendeur à une bouteille après l'avoir changé, fixez complètement l'écrou à la bouteille en le serrant. Il n'est pas nécessaire d'employer des outils, mais vous devez le tourner à la main autant que possible. Ensuite, desserrez l'écrou d'un quart de tour, puis resserrez-le pour bien terminer.





L'objectif de cette opération est de raccorder complètement le régulateur à la bouteille. Si le régulateur n'est pas tout à fait raccordé, le flux de gaz peut s'avérer limité, restreint et la bouteille peut même indiquée qu'elle est vide. Si c'est le cas, appuyez sur le bouton « OFF » (arrêt), fermez le robinet de la bouteille, et retirez le régulateur. Raccordez à nouveau le régulateur et réessayez.

Toujours effectuer un test d'étanchéité après avoir branché une bouteille de gaz.



MOSQUITO MAGNET®

Guide de dépannage

Problème	Cause possible	Solutions
<p>L 'appareil ne démarre pas Appareil ne reste flas en cours d'exécution</p> <p>LCD </p> <p>Le voyant DEL - rouge clignote à intervalles de 7 secondes</p>	<ol style="list-style-type: none"> 1. La bouteille de butane peut être vide. 2. Si la bouteille de butane est neuf et a été récemment rempli il doit être purgé. 3. Une connexion pourrait être desserrée. 4. La conduite de gaz peut être bloquée par des contaminants du butane. 5. Le régulateur n'est pas amorcé. 	<ol style="list-style-type: none"> 1. Peser la bouteille et comparer ce poids au poids «vide» inscrit sur la bouteille. 2. Apporter la bouteille à un centre de remplissage. Il peut y avoir de l'air dans la conduite de gaz. Faire vider la bouteille 3. Vérifiez toutes les connexions. Assurez-vous que la vanne de la bouteille de butane est complètement ouverte.
<p>L'appareil ne fonctionne pas constamment</p> <p>LCD </p> <p>Le voyant DEL rouge/orange clignotant à interval/es de 7 secondes</p>	<ol style="list-style-type: none"> 1. Tension faible de la pile 	<ol style="list-style-type: none"> 1. Charger la pile avant la première utilisation et au début de chaque saison. Le voyant DEL du chargeur sera vert lorsque la pile est complètement chargée. 2. Vérifier la connexion de la pile. S'assurer qu'elle est complètement insérée et verrouillée. 3. Si une pile entièrement chargée indique tension faible de la pile au cours du cycle, recharger ou remplacer la pile.
<p>L 'arrêt de l'unité</p> <p>LCD </p> <p>Le voyant DEL rouge/vert clignotant à interval/es de 7 secondes</p>	<ol style="list-style-type: none"> 1. Température élevée 	<ol style="list-style-type: none"> 1. Arrêter le piège et le laisser refroidir pendant une heure. Redémarrer. Si le code est toujours affiché, appeler le service à la clientèle.
<p>L 'arrêt de l'unité</p> <p>LCD </p> <p>Deux voyants DEL rouge clignotante à interval/es de 7 secondes</p>	<ol style="list-style-type: none"> 1. Panne de thermistance 	<ol style="list-style-type: none"> 1. Communiquez avec le Service à la clientèle.
<p>L 'arrêt de l'unité Le voyant DEL-Rouge solide</p>	<ol style="list-style-type: none"> 1. Panne électrique 	<ol style="list-style-type: none"> 1. Communiquez avec le Service à la clientèle.
<p>Capture rare ou inexistante</p>	<ol style="list-style-type: none"> 1. Les moustiques ne peuvent pas être encore sortis. 2. Problème d'emplacement du piège. 3. Le contre-courant peut être perturbé. 	<ol style="list-style-type: none"> 1. Vérifier que la température est constamment supérieure à 10 ° C (50 ° F). 2. Suivre les étapes dans la section «Emplacement du piège» dans le manuel de l'utilisateur. . 3. Faire fonctionner l' appareil en continu 24 heures / jour, 7 jours / semaine. 4. Débit d'air peut être restreint. Contactez votre fournisseur de service local.

Service à la clientèle ** S'il vous plaît avoir disponible votre numéro de série, la date d'achat et le type de modèle **

Chacun d'entre nous à Woodstream Canada Corporation voulons que vous obteniez entière satisfaction de votre piège. Si vous avez des problèmes vous ne pouvez pas résoudre, appeler un de nos représentants du service à la clientèle. Nous vous aiderons à faire fonctionner votre appareil.

